

Installation Instructions

Gas Cooktops

Questions? Call GE Appliances at 1.800.GE.CARES (1.800.432.2737) or visit www.GEAppliances.com. In Canada, call 1.800.561.3344 or visit www.GEAppliances.ca.

IN THE COMMONWEALTH OF MASSACHUSETTS

■ This product must be installed by a licensed plumber or gas fitter.

- When using ball type gas shut-off valves, they shall be the T-handle type.
- A flexible gas connector, when used, must not exceed 5 feet.

WARNING

FIRE OR EXPLOSION HAZARD

If the information in these instructions is not followed exactly, a fire or explosion may result causing property damage, personal injury or death.

Installation must be performed by a qualified installer.

Read these instructions completely and carefully.

Installation of this product must conform with local codes, or in the absence of local codes, with the National Fuel Gas Code, ANSI Z223.1/NFPA.54, latest edition. In Canada, installation must conform with the current Natural Gas Installation Code, CAN/CGA-B149.1 or the current Propane Installation Code, CAN/CGA-B149.2, and with local codes where applicable. This product has been design-certified by UL

according to ANSI Z21.1, latest edition and Canadian Gas Association according to CAN/CGA-1.1 latest edition.

When installing a gas appliance the use of old flexible connectors can cause gas leaks and personal injury. Always use a **NEW** flexible connector.

Leak testing of the appliance shall be conducted according to the manufacturer instructions.

The cooktop must be electrically grounded in accordance with local codes or, in the absence of local codes, in accordance with the National Electrical Code (ANSI/NFPA 70, latest edition). In Canada, electrical grounding must be in accordance with the current CSA C22.1 Canadian Electrical Code Part 1 and/or local codes. See Electrical Connections in this section.

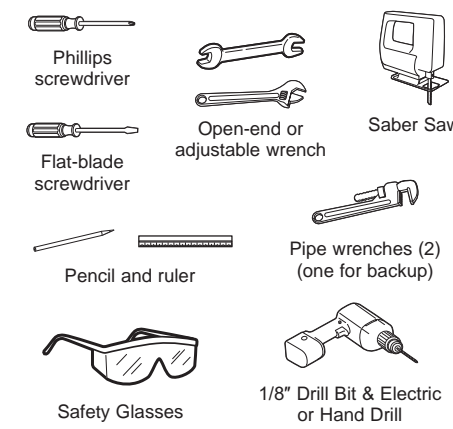
Do not install this product with an air curtain hood or other cooktop hood that operates by blowing air down on the cooktop. This airflow may interfere with operation of the gas burners resulting in fire or explosion hazard.

FOR YOUR SAFETY

WARNING

Before beginning the installation, switch power off at service panel and lock the service disconnecting means to prevent power from being switched on accidentally. When the service disconnecting means cannot be locked, securely fasten a prominent warning device, such as a tag, to the service panel.

TOOLS YOU WILL NEED



MATERIALS YOU MAY NEED

- Gas line shut-off valve
- Pipe joint sealant or UL-approved pipe thread tape with Teflon* that resists action of natural and propane gases.
- Flexible metal appliance connector (1/2" I.D.). A 5-foot length is recommended for ease of installation but other lengths are acceptable. Never use an old connector when installing a new cooktop.
- Flare union adapter for connection to gas supply line (3/4" or 1/2" NPT x 1/2" I.D.).
- Flare union adapter for connection to pressure regulator on cooktop (1/2" NPT x 1/2" I.D.).
- Liquid leak detector or soapy water.
- Foam tape

*Teflon: Registered trademark of DuPont

BEFORE YOU BEGIN

IMPORTANT — Save these instructions for local inspector's use.

IMPORTANT — Observe all governing codes and ordinances.

IMPORTANT — Remove all packing material and literature before connecting gas and electrical supply to cooktop.

IMPORTANT — To avoid damage to your cabinets, check with your builder or cabinet supplier to make sure that the materials used will not discolor, delaminate or sustain other damage. This product has been designed in accordance with the requirements of UL and CSA International and complies with the maximum allowable wood cabinet temperatures of 194°F (90°C).

Note to Installer — Be sure to leave these instructions with consumer.

Note to consumer — Keep these instructions for future reference.

Service — The electrical diagram is in an envelope attached to the back of the cooktop. Proper installation is the responsibility of the installer.

Product failure due to improper installation is not covered under warranty.

Mobile Home - Additional Installation Requirements

The installation of this product must conform to the Manufactured Home Construction and Safety Standard, Title 24 CFR, Part 3280 (formerly the Federal Standard for Mobile Home Construction and Safety, Title 24, HUD Part 280). When such standard is not applicable, use the Standard for Manufactured Home Installations, ANSI A225.1/NFPA 501A or with local codes.

In Canada, the installation of this product must conform with the current standards CAN/CSA-A240-latest edition, or with local codes.

When this cooktop is installed in a mobile home, it must be secured during transit. Any method of securing the cooktop is adequate as long as it conforms to the standards listed above.

DIMENSIONS AND CLEARANCES

Provide adequate clearances between the cooktop and adjacent combustible surfaces. These dimensions must be met for safe use of your cooktop.

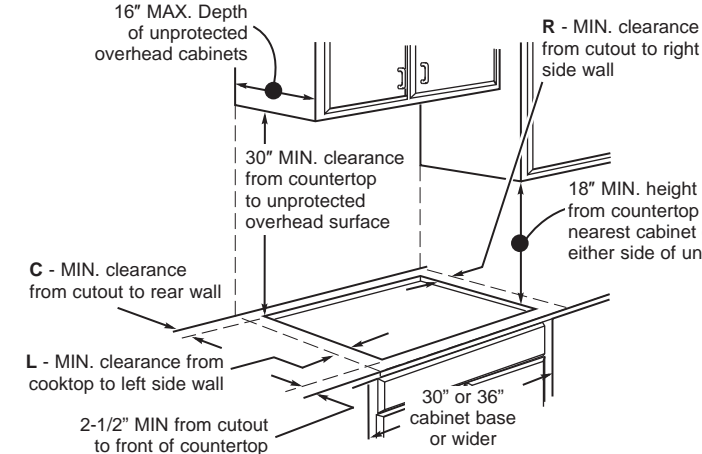
Allow 30" (76.2 cm) minimum clearance between burners and bottom of unprotected wood or metal cabinet, or allow a 24" (61 cm) minimum when bottom of wood or metal cabinet is protected by no less than 1/4" (6.4 mm) thick flame-retardant millboard covered

with no less than No. 28 MSG sheet metal (.015" (.38 mm) thick), .015" (.38 mm) thick stainless steel, .025" (0.64 mm) aluminum or .020" (0.5 mm) copper.

Installation of a listed microwave oven or cooking appliance over the cooktop shall conform to the installation instructions packed with that appliance.

Built-in oven installation, shall conform to the installation instruction packed with the built-in oven.

MAINTAIN THE FOLLOWING MINIMUM CLEARANCE DIMENSIONS

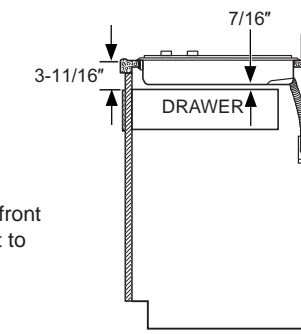


ALL HORIZONTAL CLEARANCES MUST BE MAINTAINED FOR A MINIMUM OF 18" ABOVE THE COOKING SURFACE.

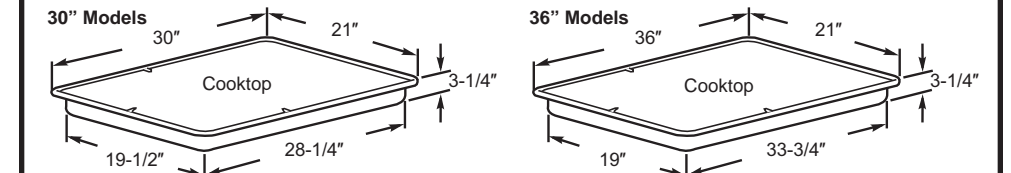
	C	L	R
JGP5530, JGP5536	2-1/4"	6"	6"

NOTE: Allow 7/16" minimum vertical clearance from the cooktop bottom (or 3-11/16" minimum depth from the countertop) to any combustible surfaces, such as a cabinet drawer.

For island installation, maintain 2-1/2 in. minimum from cutout to front and back edge of countertop. Maintain 3 in. minimum from cutout to side edges of countertop.

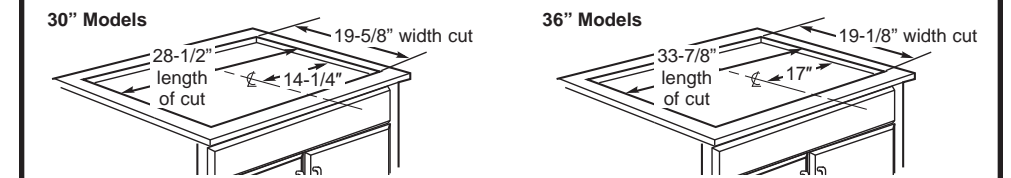


OVERALL COOKTOP DIMENSIONS

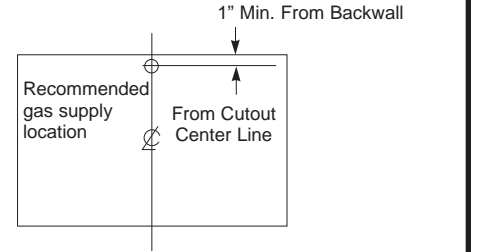


CUTOUT DIMENSIONS OF COUNTERTOP

To ensure accuracy, it is best to make a template when cutting the opening in the counter.

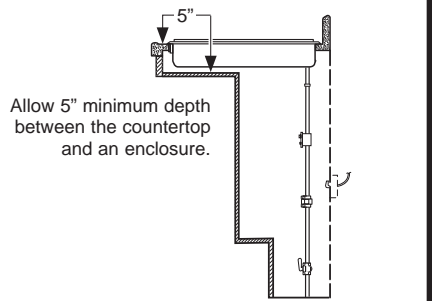


RECOMMENDED GAS SUPPLY LOCATION FROM BACKWALL



FOR AMERICANS WITH DISABILITIES ACT (ADA) FORWARD APPROACH INSTALLATION ONLY

NOTE: The enclosure must be made of wood material. Also, an access panel is required for the electrical outlet, pressure regulator, shut-off valve, hold-down brackets, and service.



CONVERTING TO PROPANE GAS (OR CONVERTING BACK TO NATURAL GAS FROM PROPANE)

This cooktop leaves the factory set for use with natural gas. If you want to convert to propane gas, the conversion must be performed by a qualified propane gas installer. The conversion orifices and instructions can be found attached to the regulator.

Keep these instructions and all orifices in case you want to convert back to natural gas.

1 INSTALLING THE COOKTOP

A. Locate electrical outlet and gas shut-off valve beneath cabinet.

B. Lay cooktop upside down on a towel or tablecloth covered countertop.

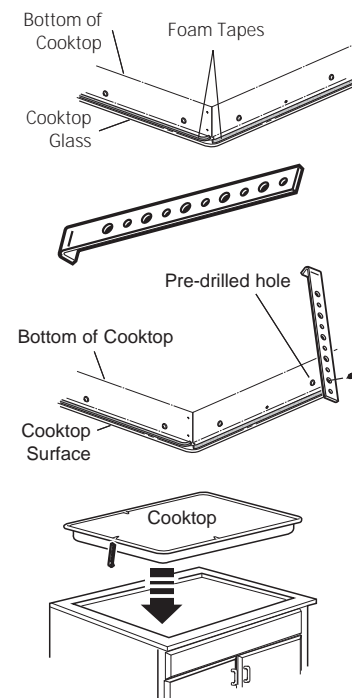
C. Apply foam tape around the outer edge of the glass. Do not overlap the foam tapes.

D. Locate and remove hold-down brackets from literature package.

E. Attach brackets to cooktop. Remove the screw from the side of the cooktop and screw the hold-down bracket to the side of the cooktop unit. Repeat for opposite side of cooktop.

F. Insert the cooktop centered into the cutout opening. Make sure the front edge of the countertop is parallel to the cooktop. Make final check that all required clearances are met.

Once the unit is in place, screw the hold-down bracket into the cabinet sides to secure the unit into place.



2 GAS SUPPLY

WARNING Fire Hazard: Do not use a flame to check for gas leaks.

WARNING Explosion Hazard: Do not exceed 25 ft-lbs of torque when making gas line connections. Overtightening may crack the pressure regulator resulting in fire or explosion hazard.

Gas Pressure Regulator
You must use the gas pressure regulator supplied with this range. For proper operations the inlet pressure to the regulator should be as follows:

Natural Gas:
Minimum pressure: 5" of Water Column
Maximum pressure: 13" of Water Column

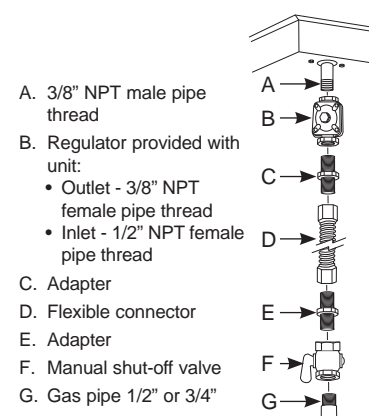
Propane Gas:
Minimum pressure: 11" of Water Column
Maximum pressure: 13" of Water Column
If you are not sure about the inlet pressure contact local gas supplier.

Shut off the main gas supply valve before disconnecting the old cooktop and leave it off until the new hook-up has been completed. Don't forget to relight the pilot on other gas appliances when you turn the gas back on. Because hard piping restricts movement of the range, the use of a CSA International-certified flexible metal appliance connector is recommended unless local codes require a hard-piped connection.

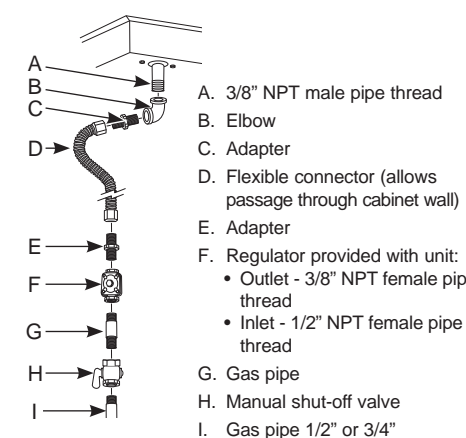
If the hard piping method is used, you must carefully align the pipe; the cooktop cannot be moved after the connection is made.

CONNECTOR HOOKUP

TYPICAL INSTALLATION WITH NO OBSTRUCTION BELOW COOKTOP



ALTERNATE INSTALLATION WITH OBSTRUCTION BELOW COOKTOP



To prevent gas leaks, apply pipe joint compound or wrap pipe thread tape with Teflon* around all male (external) pipe threads.

A. Install provided regulator in the gas line between the cooktop and manual shut-off valve. Refer to the arrow on the back of the regulator for gas flow direction. Ensure the front of the regulator is facing towards the cabinet front, easily accessible through the cabinet doors.

B. Install a manual shut-off valve in the gas line in a location easily accessible through the cabinet doors.

C. When all connections have been made, ensure all gas controls are in the off position and turn on the main gas supply valve. Use a liquid leak detector at all joints and connections to check for leaks in the system.

When using pressures greater than 1/2 psig to pressure test the gas supply system of the residence, disconnect the cooktop and individual shut-off valve from the gas supply piping. When using pressures of 1/2 psig or less to pressure test the gas supply system, simply isolate the cooktop from the gas supply system by closing the individual shut-off valve.

When checking for proper operation of the regulator, the inlet pressure must be at least 1" greater than the operating (manifold) pressure as given on rating label of product.

*Teflon: Registered trademark of DuPont

3 ELECTRICAL CONNECTIONS

WARNING Shock Hazard: This appliance must be properly grounded. Failure to do so can result in electric shock.

Electrical Requirements - 120-volt, 60 Hertz, properly grounded circuit protected by a 15-amp or 20-amp circuit breaker or time delay fuse. It is recommended that a separate circuit serving only this cooktop be provided.

NOTE: Use of automatic, wireless, or wired external switches that shut off power to the appliance are not recommended for this product.

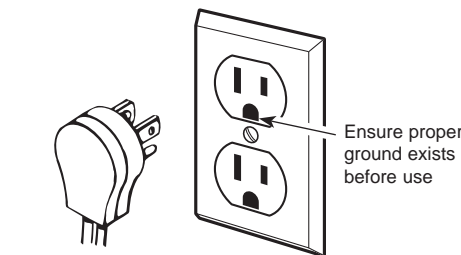
Grounding
The power cord of this appliance is equipped with a three-prong (grounding) plug which plugs into a standard three-prong grounding wall receptacle to minimize the possibility of electric shock hazard from this appliance.

The customer should have the wall receptacle and circuit checked by a qualified electrician to make sure the receptacle is properly grounded.

Where a standard two-prong wall receptacle is encountered, it is the personal responsibility and obligation of the customer to have it replaced with a properly grounded three-prong wall receptacle.

DO NOT, UNDER ANY CIRCUMSTANCES, CUT OR REMOVE THE THIRD (GROUND) PRONG FROM THE POWER CORD. DO NOT USE AN ADAPTER. DO NOT USE AN EXTENSION CORD.

Ground Fault Circuit Interrupters (GFCI's) are not required or recommended for gas cooktop receptacles. Performance of the cooktop will not be affected if operated on a GFCI-protected circuit but occasional nuisance tripping of the GFCI breaker is possible.



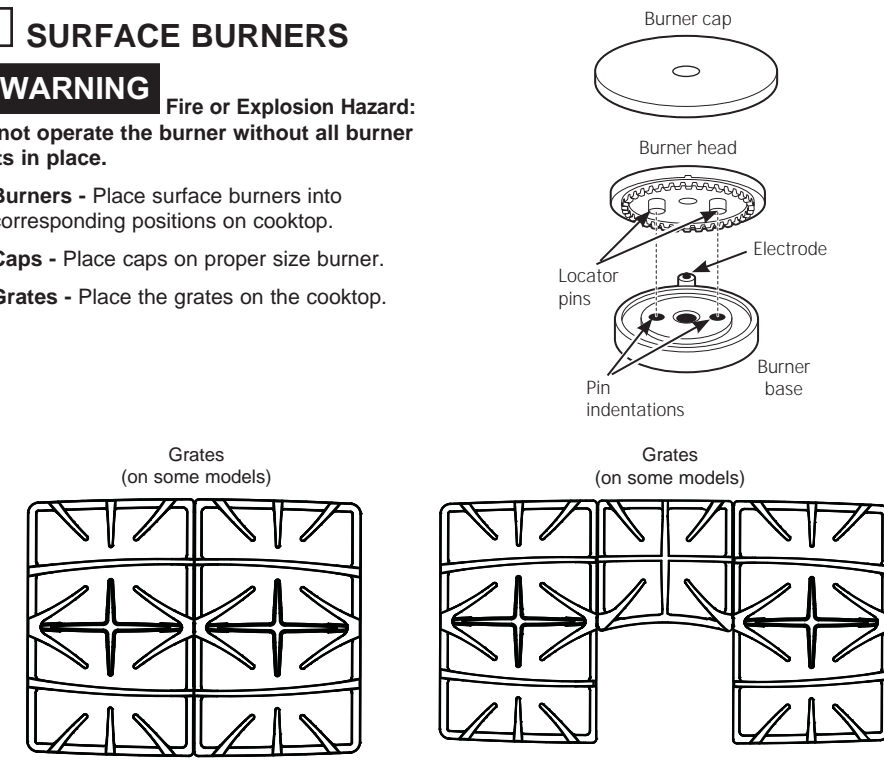
4 SURFACE BURNERS

WARNING Fire or Explosion Hazard: Do not operate the burner without all burner parts in place.

A. **Burners** - Place surface burners into corresponding positions on cooktop.

B. **Caps** - Place caps on proper size burner.

C. **Grates** - Place the grates on the cooktop.

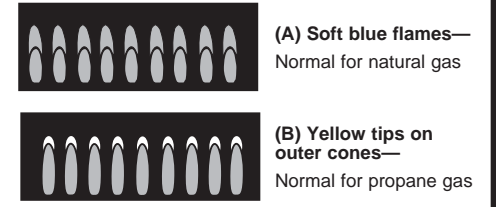


5 CHECK SURFACE BURNERS

Push and turn a knob to the LITE position. A clicking sound indicates proper operation of the ignition system. When lighting any burner, sparks will appear at all burners but gas flows from only the one selected. Once air is purged from the supply line, burner should light within 4 seconds. After burner lights, rotate the knob out of the LITE position. Try each burner in succession until all burners have been checked.

Quality of Flames

Determine the quality of flames visually. Normal burner flames should look like (A) or (B).



Long, bright yellow flames are not normal. Normal flames may show signs of an orange tint when well heated or signs of flickering orange due to particles in the gas or air.

WHEN ALL HOOKUPS ARE COMPLETED

Make sure all controls are left in the off position. Make sure the flow of combustion and ventilation air to the cooktop is unobstructed.

Check that all packing materials and tape have been removed. This will include adhesive tape, wire ties, cardboard and protective plastic. Failure to remove these materials could result in damage to the appliance once the appliance has been turned on and surfaces have heated.

INSTALLATION AT HIGH ALTITUDE

Over 6000ft, product configured for natural gas or propane requires installation of kit (WB28X29863 for natural gas and WB28X29860 for propane gas). Follow the instructions included with the kit.

Instrucciones de instalación Superficies de Cocción a Gas

¿Preguntas? Llame a GE Appliances al 800.GE.CARES (800.432.2737) o visita www.GEAppliances.com. En Canadá, llame 1.800.561.3344 o visita www.GEAppliances.ca.

EN EL COMMONWEALTH DE MASSACHUSETTS

Este producto debe ser instalado por un plomero licenciado o un mecánico gasista.

- Al usar válvulas de cierre de gas tipo balón, deberán ser del tipo de manija T.
- Al usar un conector de gas flexible no deberá exceder los 5 pies.

ADVERTENCIA

RIESGO DE INCENDIO O EXPLOSIÓN

Si la información que figura en estas instrucciones no se sigue exactamente, se podrá producir un incendio o explosión, ocasionando daños sobre la propiedad, lesiones o la muerte.

La instalación deberán ser realizadas por un instalador calificado.

Lea estas instrucciones en su totalidad y atentamente. La instalación de este producto debe ser realizada de acuerdo con los códigos locales, o en la ausencia de códigos locales, con el Código de Gas Combustible Nacional, ANSI Z223.1/NFPA-54, última edición. En Canadá, la instalación deberá ser conforme con el Código de Instalación de Gas Natural actual, CAN/CGA-B149.1 o el Código de Instalación de Propano actual, CAN/CGA-B149.2, y con los códigos locales cuando corresponda. El diseño de este producto fue certificado por UL de acuerdo con ANSI Z21.1, última edición y con la Canadian Gas Association (Asociación de Gas de Canadá) CAN/CGA-1.1 última edición.

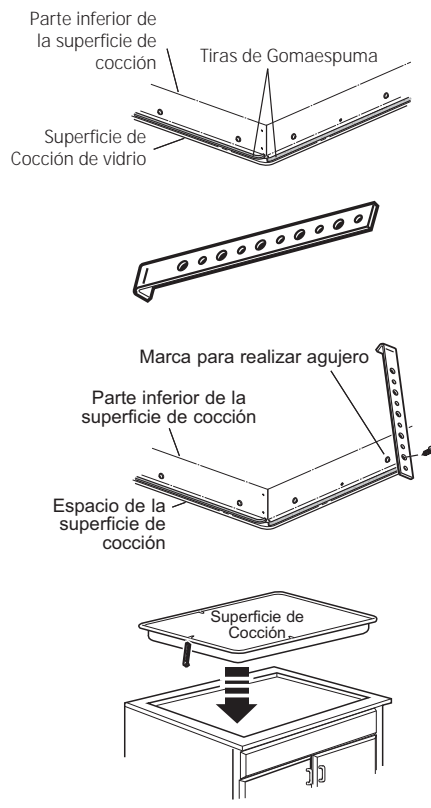
PARA SU SEGURIDAD

ADVERTENCIA

Antes de comenzar la instalación, apague el encendido en el panel de servicio y bloquee el medio de desconexión del servicio a fin de evitar que el encendido se active de forma accidental. Cuando el medio de desconexión del servicio no se pueda bloquear, ajuste de manera segura un ítem de advertencia que esté bien visible, tal como una etiqueta, sobre el panel de servicio.

1 INSTALACIÓN DE LA SUPERFICIE DE COCCIÓN

- Ubique el tomacorriente eléctrico y la válvula de cierre de gas debajo del gabinete.
 - Coloque la superficie de cocción al revés sobre una mesada cubierta por una toalla o mantel.
 - Aplique tiras de gomaespuma alrededor del extremo exterior del vidrio. No superponga las tiras de gomaespuma.
 - Ubique y retire los soportes de los costados del paquete de instrucciones.
 - Adhiera los soportes a la superficie de cocción. Retire el tornillo del costado de la superficie de cocción y atornille el soporte al costado de la unidad de la superficie de cocción. Repita esto en el lado opuesto de la superficie de cocción.
 - Inserte la superficie de cocción centrada sobre la abertura del encastre. Asegúrese de que el extremo frontal de la mesada esté paralelo a la superficie de cocción. Haga el control final para verificar que se cumpla con todos los espacios de despeje necesarios.
- Una vez colocada la unidad, atornille el soporte sobre los costados del gabinete para asegurar la unidad en su ubicación.



HERRAMIENTAS NECESARIAS



MATERIALES NECESARIOS

- Válvula de cierre para tubería de gas.
- Sellador para junta de tubería o UL - cinta para tubería aprobada con Teflón*, resistente a la acción de gases naturales o propano.
- Conector para artefacto metálico flexible (1/2" I.D.) Se recomienda una longitud de 5 pies para una fácil instalación, pero otras longitudes son aceptables. Nunca use un conector viejo al instalar una superficie de cocción nueva.
- Adaptador para unión cónica para la conexión al suministro de gas (3/4" o 1/2" NPT x 1/2" I.D.).
- Adaptador para unión cónica para la conexión al regulador de presión de la superficie de cocción. (1/2" o 5/8" NPT x 1/2" I.D.).
- Detector de pérdida de líquido o agua con jabón.
- Tiras de Gomaespuma

*Teflón: Marca registrada por DuPont

ANTES DE COMENZAR

IMPORTANTE — Conserve estas instrucciones para uso del inspector de electricidad local.

IMPORTANTE — Cumpla con todos los códigos y ordenanzas gubernamentales.

IMPORTANTE — Retire todos los materiales del embalaje y las instrucciones, antes de conectar el suministro de gas y eléctrico a la superficie de cocción.

IMPORTANTE — A fin de evitar daños en los gabinetes, controle con su constructor o proveedor de gabinetes que los materiales usados no descolorarán, deslaminarán ni sostendrán otro daño. Este producto ha sido diseñado de acuerdo con los requisitos de UL y CSA International y cumple con las temperaturas máximas permitidas para gabinetes de madera de 194° F (90° C).

Nota para el Instalador – Asegúrese de que estas instrucciones queden en manos del comprador.

Nota para el Consumidor – Guarde estas instrucciones para referencia futura.

Servicio Técnico — El diagrama eléctrico está ubicado dentro de la superficie de cocción.

La correcta instalación del producto es responsable del instalador.

Si se producen fallas en el producto debido a una instalación inadecuada, la Garantía no cubrirá las mismas.

Casa Rodante – Requisitos de Información Adicional

La instalación de este producto deberá ser realizada de acuerdo con el Estándar de Construcción y Seguridad para Hogar, Título 24 CFR, Pieza 3230 (anteriormente el Estándar Federal para la Construcción y Seguridad de Casas Rodantes (Federal Standard for Mobile Home Construction and Safety), Título 24, HUD Parte 280). Cuando dicho estándar no sea aplicable, use el estándar para las Instalaciones de Casas Fabricadas, ANSI A225, 1/NFPA 501A o con códigos locales.

En Canadá, la instalación de esta cocina deberá ser realizada de acuerdo con los estándares actuales CAN/CSAA240 – última edición, o con los códigos locales.

Cuando la superficie de cocción sea instalada en una casa móvil, se deberá ajustar de forma segura durante el tránsito. Cualquier método para asegurar la superficie de cocción es adecuado, siempre y cuando se realice conforme con los estándares que figuran más arriba.

DIMENSIONES Y ESPACIOS

Deje el espacio adecuado entre la superficie de cocción y las superficies combustibles adyacentes. Estas dimensiones se deberán cumplir para un uso seguro de la superficie de cocción.

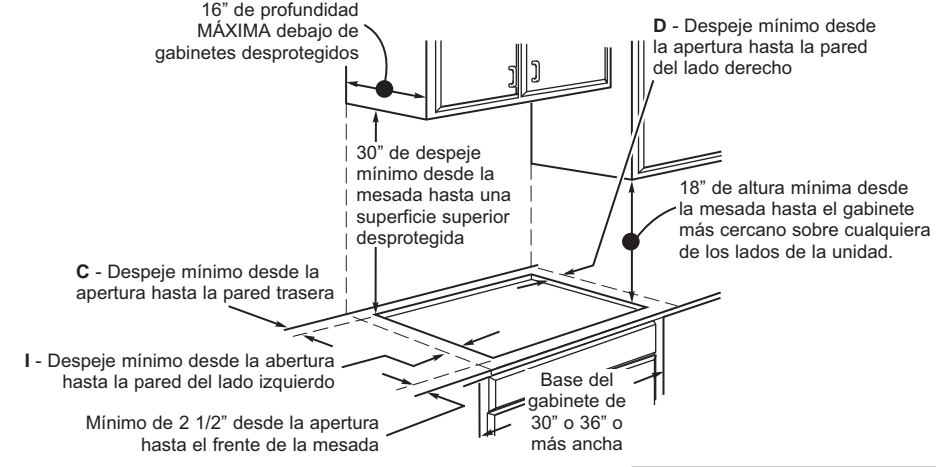
Deje un espacio mínimo de 30" (76.2 cm) entre los quemadores y la parte inferior del gabinete de madera o metal sin protección, o deje un espacio mínimo de 24" (61 cm) cuando la parte inferior del gabinete de madera o metal esté protegido por no menos de 1/4" (6.4 mm) de cartón de retardo de incendios cubierta por no menos que una lámina

metálica de 28 MSG (.015" (.38 mm) de grosor), .015" (.38 mm) de grosor de acero inoxidable, .025" (0.64 mm) de aluminio o .020" (0.5 mm) de cobre.

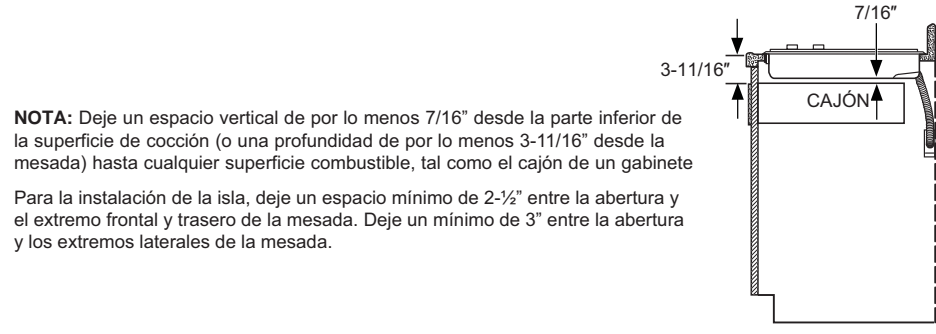
La instalación de un horno microondas o de un electrodoméstico de cocción que figuren en la lista sobre la parte superior de la superficie de cocción deberá cumplir con las instrucciones de instalación provistas con el electrodoméstico.

La instalación del horno empotrable deberá ser realizada de acuerdo con las instrucciones de instalación, adjuntas con el horno empotrable.

MANTENGA LAS SIGUIENTES DIMENSIONES MÍNIMAS DE DESPEJE



SE DEBERÁN MANTENER TODOS LOS DESPEJES HORIZALES POR UN MÍNIMO DE 18" SOBRE LA SUPERFICIE DE COCCIÓN.



3 CONEXIONES ELÉCTRICAS

ADVERTENCIA

Riesgo de Descarga: Este electrodoméstico deberá estar conectado a tierra de forma adecuada. Si no cumple con esto se podrán producir descargas eléctricas.

Requisitos Eléctricos - Circuito de 120 voltios, 60 Hertz, correctamente conectado a tierra por un disyuntor de 15 o 20 amperes o fusible de retraso. Se recomienda contar con un circuito separado que se use únicamente con esta superficie de cocción.

NOTA: No se recomienda para este producto el uso de interruptores automáticos, inálambicos o con cableado externo que apagan la corriente del electrodoméstico.

Conexión a Tierra

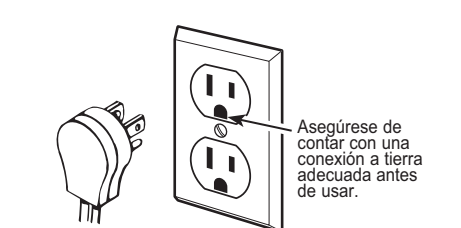
El cable de corriente de este electrodoméstico cuenta con un enchufe de 3 patas (conexión a tierra) que se conecta a un tomacorriente de pared estándar de 3 cables para minimizar la posibilidad de riesgos de descargas eléctricas por parte del mismo.

El cliente deberá contratar a un electricista calificado para que controle el circuito, a fin de asegurar que el tomacorriente esté correctamente conectado a tierra.

En caso de contar con un tomacorriente de pared de 2 cables, es la responsabilidad y obligación del cliente reemplazarlo por un tomacorriente de pared de 3 cables correctamente conectado a tierra.

NUNCA, BAJO NINGUNA CIRCUNSTANCIA, CORTE NI ELIMINE EL TERCER CABLE (TIERRA) DEL CABLE DE CORRIENTE. NO USE UN ADAPTADOR. NO USE UN PROLONGADOR.

No se requieren ni se recomiendan Interruptores con Detección de Falla a Tierra (GFCI) en receptáculos de superficies de cocción a gas. El funcionamiento de la superficie de cocción no se verá afectado si se utiliza en un circuito GFCI protegido, pero es posible que se produzcan detenciones ocasionales no deseadas del interruptor del GFCI.

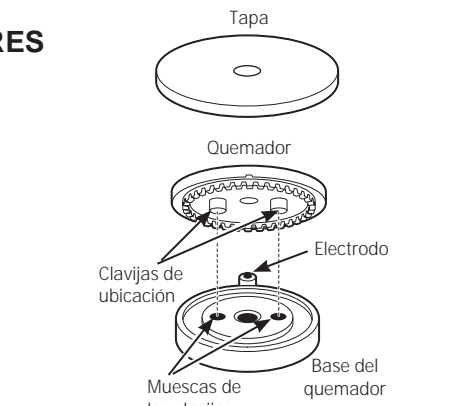


4 SUPERFICIALES QUEMADORES

ADVERTENCIA

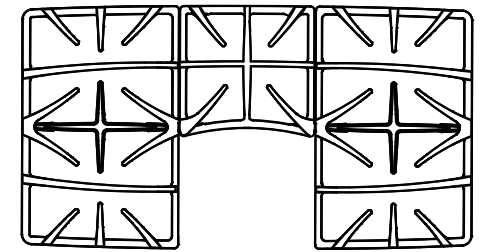
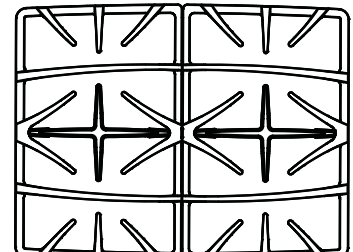
Riesgo de Incendio o Explosión: No use el quemador sin que todas las partes de los quemadores estén en sus respectivos lugares.

- Quemadores** - Coloque las cabezas de los quemadores en las posiciones correspondientes en la placa de cocción.
- Tapas** - Coloque las tapas en los quemadores de los tamaños correspondientes.
- Rejillas** - Coloque las rejillas en la placa de cocción.



Las rejillas (En algunos modelos)

Las rejillas (En algunos modelos)



2 SUMINISTRO DE GAS

ADVERTENCIA

Riesgo de incendio: No use una llama para controlar las pérdidas de gas.

ADVERTENCIA

Riesgo de Explosión: No supere una torsión máxima de 25 pies-libras al realizar conexiones de tuberías de gas. Cualquier ajuste en exceso podrá romper el regulador de presión, resultando en riesgo de incendio o explosión.

Regulador de Presión de Gas

Se deberá usar el regulador de presión de gas suministrado con esta cocina. Para un funcionamiento adecuado, la presión de entrada al regulador deberá ser la siguiente:

Gas Natural:

Presión mínima: Columna de Agua de 6"
Presión máxima: Columna de Agua de 13"

Gas Propano:

Presión mínima: Columna de Agua de 11"
Presión máxima: Columna de Agua de 13"

Si no está seguro sobre cuál es la presión de entrada, comuníquese con el proveedor de gas local.

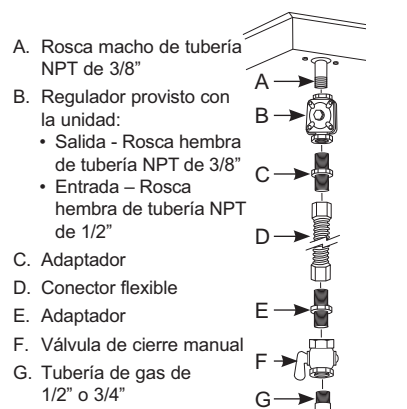
Cierre la válvula principal de suministro de gas antes de desconectar su vieja superficie de cocción y deje la misma apagada hasta que la nueva conexión se haya completado. No olvide volver a encender el piloto en otros electrodomésticos a gas cuando vuelva a encender el gas.

Debido a que las tuberías duras restringen el movimiento de la cocina, se recomienda el uso del conector para electrodomésticos de metal flexible con certificación internacional de CSA, a menos que los códigos locales requieran una conexión de tubería dura.

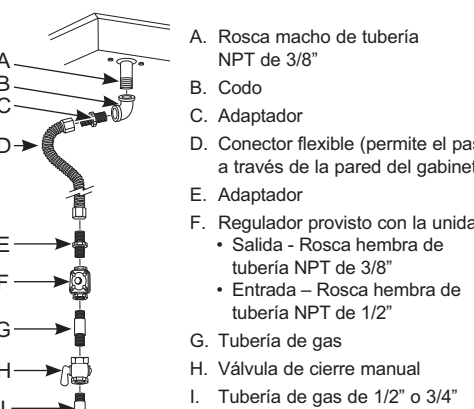
Si se usa el método de tubería dura, deberá alinear la misma con cuidado; la superficie de cocción no se podrá mover una vez realizada la conexión.

CONEXIÓN DEL CONECTOR

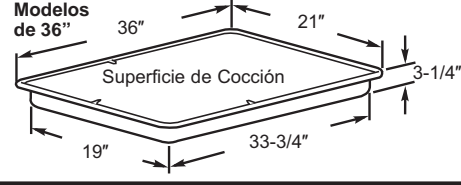
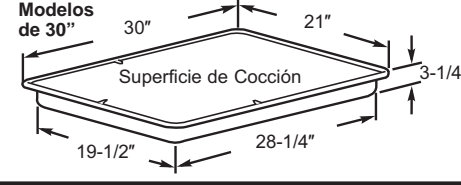
INSTALACIÓN TÍPICA SIN OBSTRUCCIONES DEBAJO DE LA SUPERFICIE DE COCCIÓN



INSTALACIÓN ALTERNATIVA CON OBSTRUCCIONES DEBAJO DE LA SUPERFICIE DE COCCIÓN

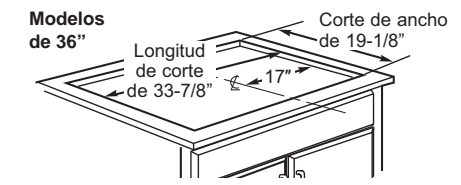
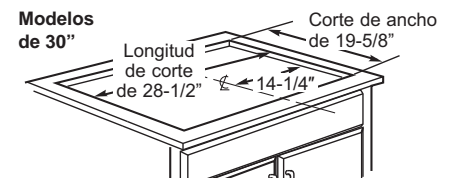


DIMENSIONES GENERALES DE LA SUPERFICIE DE COCCIÓN



DIMENSIONES DE ENCASTRE DE LA MESADA

Para asegurar la precisión, es mejor realizar una plantilla al cortar la abertura de la mesada.

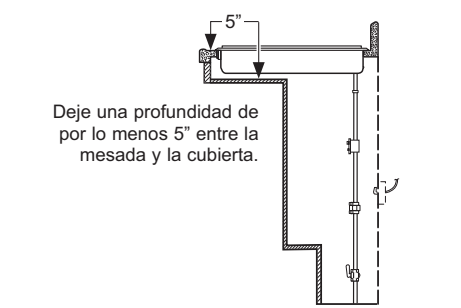


UBICACIÓN DEL SUMINISTRO DE GAS RECOMENDADA DESDE LA PARED TRASERA



INSTALACIÓN POR DELANTE ÚNICAMENTE DE ACUERDO CON LA LEY DE ESTADOUNIDENSES CON INCAPACIDADES (ADA)

NOTA: La cubierta deberá estar hecha de material de madera. Además, un panel de acceso es necesario para la toma de corriente, regulador de presión, válvula de cierre, los soportes de los costados, y el servicio técnico.



CONVERTIR A GAS PROPANO (O VOLVER A CONVERTIR DE PROPANO A GAS NATURAL)

Esta superficie de cocción deja la configuración de fábrica para uso con gas natural. Si desea convertir a gas propano, la conversión deberá ser realizada por un instalador de gas propano calificado.

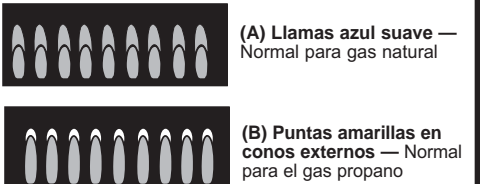
Los orificios de conversión y las instrucciones podrán ser encontradas adjuntas con el regulador. Guarde estas instrucciones y todo orificio en caso de que lo desee convertir nuevamente a gas natural.

5 CONTROLE LAS CABEZAS DE LOS QUEMADORES

Presione y gire la perilla a la posición LITE (Luz). Un sonido de clic indica el correcto funcionamiento del sistema de encendido. Al iluminar cualquier quemador, se producirán chispas en todos los quemadores pero sólo saldrá gas del que fue seleccionado. Una vez que el aire se haya purgado de la línea de suministro, el quemador se deberá encender dentro de los 4 segundos. Luego de que el quemador se encienda, gire la perilla fuera de la posición LITE (Luz). Pruebe cada quemador de forma sucesiva hasta que todos los quemadores hayan sido controlados.

Calidad de las Llamas

Determine la calidad de las llamas de forma visual. Las llamas normales de los quemadores se deberán ver como (A) o (B).



Las llamas largas de color amarillo brillante no son normales. Las llamas normales podrán mostrar signos de un tinte anaranjado cuando estén bien quemadas, o signos de anaranjado parpadeante debido a las partículas del gas o del aire.

CUANDO TODAS LAS CONEXIONES SE HAYAN COMPLETADO

Asegúrese de que todos los controles queden en la posición de apagado. Asegúrese de que el flujo de la combustión y el aire de la ventilación a la superficie de cocción estén desobstruidos.

INSTALACIÓN EN ALTITUDES ELEVADAS

A más de 6000 pies, el producto configurado para gas natural o propano requiere la instalación del kit (WB28X29863 para gas natural y WB28X29860 para gas propano). Siga las instrucciones incluidas con el kit.