

PERFORMANCE DATA NO LOAD & NO DOOR OPENINGS AT MID-POINT CONTROL SETTING		
Type A with Run/Start Capacitor	65°F (18°C) Ambient	90°F (32°C) Ambient
Operating Time	32 to 40%	55 to 65%
Freezer Temperature	0° to 4°F (-18° to -16°C)	-1° to 3°F (-18° to -16°C)
Refrigerator Temperature	34° to 39°F (1° to 4°C)	34° to 39°F (1° to 4°C)
Low Side Pressure (cut-in)	5 to 12 psig (34 to 83 kPa)	5 to 12 psig (34 to 83 kPa)
Low Side Pressure (cut-out)	-2 to 2 psig (-14 to 14 kPa)	-2 to 2 psig (-14 to 14 kPa)
High Side Pressure (Last 1/3 of cycle)	90 to 115 psig (621 to 793 kPa)	130 to 155 psig (896 to 1069 kPa)
Wattage (Last 1/3 of cycle)	120 to 150	130 to 160
Amps (Running)	1.2 to 1.5	1.2 to 1.5
Base Voltage	115 vac (127 vac max)	115 vac (127 vac max)
Refrigerant Change	4.25 oz. (121 g)	

DEFROST SPECIFICATIONS				
Cabinet Size	Thermostat		Heater	
	Cut-In	Cut-Out	Watts	Ohms
23' & 26'	25°F (-4°C)	47°F (8°C)	450	30
Electronic Timer - (ADC) Defrost 24 minutes every 6 to 72 hours of compressor run time.				

CONDENSER FAN MOTOR		
Watts	RPM	Amps
3.1 (Energy Star - Some models)	1100 CW Opposite Shaft	.03 Running
8.0	2550 CW Opposite Shaft	.07 Running

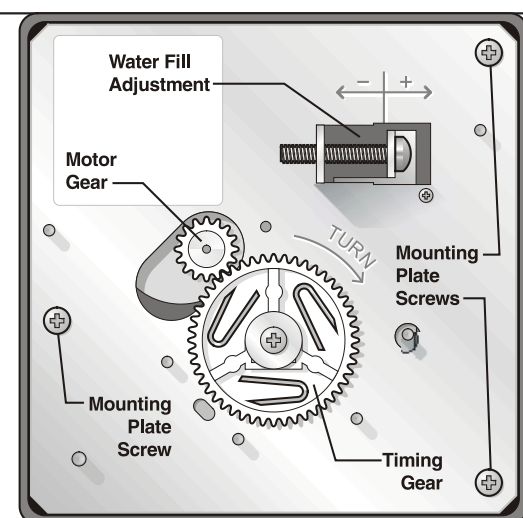
ICE MAKER SPECIFICATIONS		
Electrical	115 vac (127 vac max)	60 Hertz
Thermostat	Opens at 48°F (9°C)	Closes at 15°F (-9°C)
Heater Wattage	165	

ICE MAKER PLUG CONNECTIONS		
Wire Number	Wire Color	Connect to:
1	Green/Yellow	Ground
2	Yellow	Water Valve
3	Black	Line
4	Lt. Blue	Neutral

ICE MAKER INFORMATION

Test Cycling: Remove cover by inserting screwdriver in notch at bottom and prying cover from housing. Use screwdriver to rotate motor gear counterclockwise until holding switch circuit is completed. All components of ice maker should function to complete the cycle.

Water Fill Volume: The water fill adjustment screw will change the fill time. One full turn is equal to 20cc (.68 oz.). The correct fill is 102 to 130cc (3.4 to 4.3 oz.). When a water valve is replaced, the fill volume must be checked.



SERVICE DATA SHEET

808662202

ICE & WATER - AUTOMATIC DEFROST SIDE BY SIDE MODELS - R134a

IMPORTANT SAFETY NOTE
The information provided herein is designed to assist qualified repair personnel only. Untrained persons should not attempt to make repairs due to the possibility of electrical shock. Disconnect power cord before servicing this appliance.

IMPORTANT
If any green grounding wires are removed during servicing, they must be returned to their original position and properly secured.

CAUTION
All electrical parts and wiring must be shielded from torch flame. DO NOT allow torch to touch insulation; it will char at 200°F and flash ignite (burn) at 500°F. Excessive heat will distort the plastic liner.

SPECIAL MODES		
	Display	
	FZ	FF
Manual Defrost	d	F
		Press and hold FRZ UP; then press FF DOWN key 5 times within 5 sec. Input is recognized when FRZ UP is released. Same to deactivate.
Showroom	77	77
		Press and hold FF UP; then press FF DOWN 3 times within 5 sec. Displays will flash "0" "0". Press FRZ UP within 5 sec. Requires Power-on-Reset to deactivate.
Service	No Display	Press and hold FRZ UP; then press FRZ DOWN 3 times within 6 sec. Press and hold FRZ UP key for 5 sec. to deactivate. Automatically deactivates after 5 minutes of inactivity.

ERROR CODES		
Display		
FZ	FF	
Flashing		
OP	---	Open FZ Thermistor
---	OP	Open FF Thermistor
SH	---	Shorted FZ Thermistor
---	SH	Shorted FF Thermistor
Solid		
HI	---	FZ Temp. above 26°F
---	HI	FF Temp. above 55°F

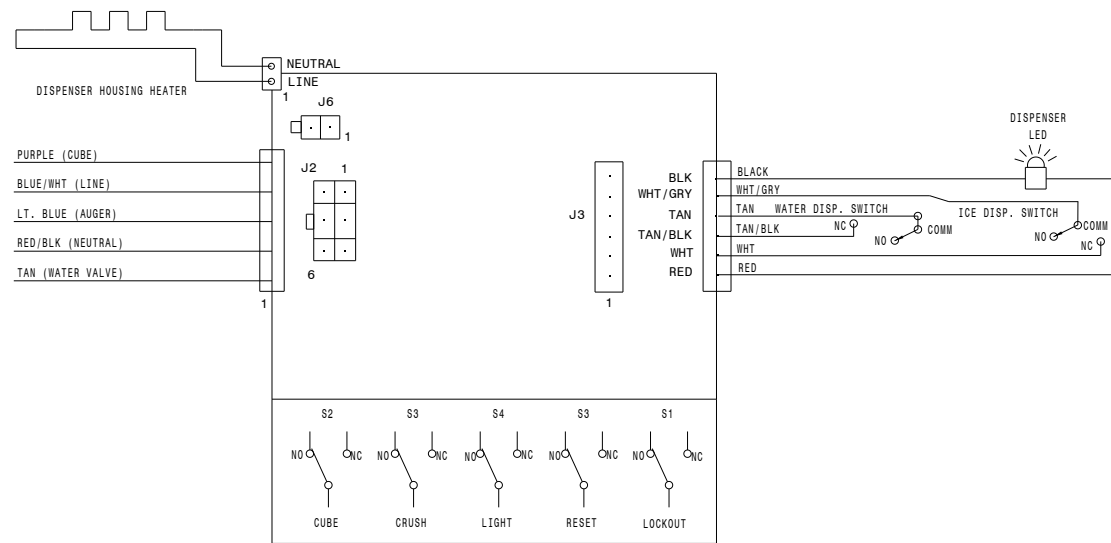
TEMPERATURE/RESISTANCE CHART FOR FRESH FOOD AND FREEZER THERMISTORS							
°F	KOHMS	°F	KOHMS	°F	KOHMS	°F	KOHMS
-10	11.75	11	60.48	32	32.51	53	18.27
-9	11.41	12	58.52	33	31.53	54	17.84
-8	11.01	13	56.94	34	30.74	55	17.34
-7	10.69	14	55.11	35	29.82	56	16.93
-6	10.32	15	53.34	36	29.07	57	16.39
-5	10.02	16	51.91	37	28.21	58	16.08
-4	96.79	17	50.25	38	27.51	59	15.64
-3	93.47	18	48.92	39	26.70	60	15.21
-2	90.80	19	47.37	40	26.04	61	14.86
-1	87.71	20	46.12	41	25.28	62	14.46
0	85.22	21	44.67	42	24.54	63	14.13
1	82.34	22	43.50	43	23.94	64	13.74
2	80.02	23	42.14	44	23.25	65	13.43
3	77.34	24	40.83	45	22.67	66	13.07
4	75.18	25	39.77	46	22.03	67	12.78
5	72.68	26	38.55	47	21.50	68	12.44
6	70.27	27	37.56	48	20.89	69	12.10
7	68.33	28	36.41	49	20.39	70	11.84
8	66.08	29	35.48	50	19.81	71	11.52
9	64.27	30	34.40	51	19.25	72	11.27
10	62.17	31	33.53	52	18.80	73	10.97

SERVICE MODE			
Activate:	Press and hold FRZ UP then press FRZ DOWN 3 times within 6 sec. Input is recognized once FRZ UP is released. Press FRZ UP or DOWN to change test.		
Deactivate:	Press and hold FRZ UP for 5 seconds. Diagnostic mode will automatically deactivate after 5 minutes of inactivity.		
<ul style="list-style-type: none"> Press FRZ UP or DOWN to change test. Press FF UP or DOWN to change between sub tests. View UI display for results of tests. Listen for operating sounds; feel for heat or air flow as appropriate to determine results of tests. 			
Test	Test Name	Sub Test	Test Description
1	Software	---	Display is blank when selecting test.
		A	Displays last 4 digits of software variant; record sequence.
		B	Displays last 4 digits of control and housing assembly part number; record sequence.
		C	Displays software test number.
2	Evaporator Fan	---	Display is blank when selecting test.
		A	Turns on evaporator fan, displays "E".
		B	Turns off evaporator fan, displays "_".
3	FZ Thermistor	---	Display is blank when selecting test.
		A	Flashes "1" if good, "SH" if shorted, and "OP" if open.
		B	Displays current FZ temperature. If technician puts hand around thermistor, the temperature will rise.
4	FF Thermistor	---	Display is blank when selecting test.
		A	Flashes "1" if good, "SH" if shorted, and "OP" if open.
		B	Displays current FF temperature. If technician puts hand around thermistor, the temperature will rise.
5	Damper Motor	Note: Evaporator fan will be on for the duration of this test to aid in evaluation of the damper.	
		---	Display is blank when selecting test.
		A	Damper opens, displays "0". If there is a switch or motor error, flashes "4".
		B	Damper closes, displays "_". If there is a switch or motor error, flashes "4".
		C	If A or B did not display a "4" this test will display "_." and the motor will not run. If "4" was displayed in test A or B this test displays "E", and runs the motor continuously. If motor movement is not heard, there is a problem with the motor or motor circuit. If motor is running, there is a problem with the damper switch or damper switch circuit.
6	Defrost	---	Display is blank when selecting test.
		A	Turns on defrost heater, displays "d" if DTT is closed and "_" if DTT is open.
		B	Turns off defrost heater, displays "_".
7	Compressor and Condenser Fan	---	Display is blank when selecting test.
		A	Turns on compressor and condenser fan, displays "C".
8	Display	B	Turns off compressor and condenser fan, displays "_". Once compressor is turned off it cannot be turned on for 7 minutes. 7 minute countdown is displayed in test A.
		---	Display is blank when selecting test.
9	Error History Log	A	Turns on all segments of FF display, FZ display, and all LEDs.
		---	Display is blank when selecting test.
		B	Displays maximum of 8 errors from the last 10 days. If there are no errors, displays "-" on single digit and "- -" on dual digit.
		B	Flashes bottom and middle segments. Press and hold FF DOWN to erase history.

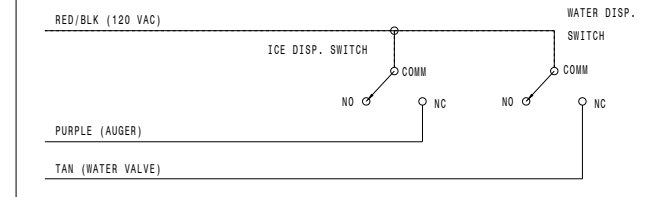
TEST 9 ERROR CODES	
Error	Error History Log Codes
3	Open FZ Thermistor
4	Shorted FZ Thermistor
5	Damper did not move from close to open position in allotted time
6	Damper did not move from open to close position in allotted time
15	DTT Connector Out or Shorted DTT
23	User Interface Key Stuck Down
24	Open FF Thermistor
25	Shorted FF Thermistor
26	FZ High Temperature Alarm
27	FF High Temperature Alarm
33	Heater, Heater Circuit, Heater Wiring, or DTT Problem

A02644901 Wiring Diagram

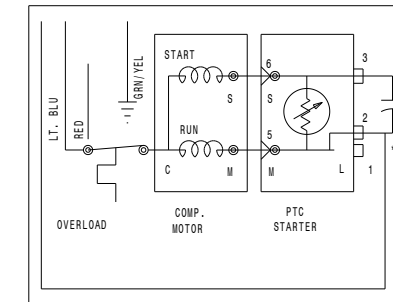
ICE & WATER CONTROL BOARD



ELECTRO-MECHANICAL DISPENSER



PTC STARTER WITH RUN CAPACITOR



CAPACITOR IS ONLY USED WITH SOME P.T.C. MODELS.

