

NX58M6630SS

SAMSUNG

Samsung True Convection Freestanding Gas Range

5.8 cu. ft. Capacity



Signature Features

Blue LED Illuminated Knobs

- Visually lets you know if your cooktop is on from a distance.

Powerful, Flexible Cooktop

- Flexible cooktop cooks faster with 5 specialized burners, including 18K BTU and 16K BTU power burners and one 5K simmer burner.

True Convection

- Cook food faster and more evenly with a heated fan system that is great for baking and broiling.

Available Colors



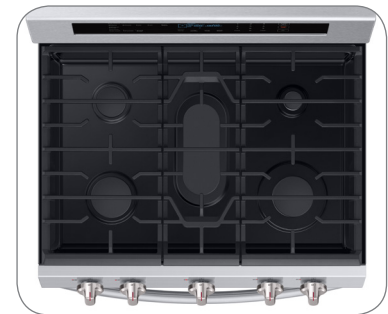
Stainless Steel (shown)



Black Stainless Steel



Blue LED Illuminated Knobs



Powerful, Flexible Cooktop

Features

- Blue LED Illuminated Knobs
- Powerful, Flexible Cooktop – 5 Gas Burners
 - Right Front: 18K BTU
 - Left Front: 16K BTU
 - Right Rear: 5K BTU
 - Left Rear: 9.5K BTU
 - Center: 10K BTU (Oval)
- True Convection Oven
- Large Oven Capacity – 5.8 cu. ft.
- Touch Controls
- Wide View Window
- Cast Iron 3-Piece Grates
- Storage Drawer

Convenience

- Self Clean
- 3 Easy Cook Presets
- Auto Oven Light
- Proofing
- Sabbath Mode
- Kitchen Timer
- Delay Start
- Auto Shut-Off Option
- Child Safety Lock

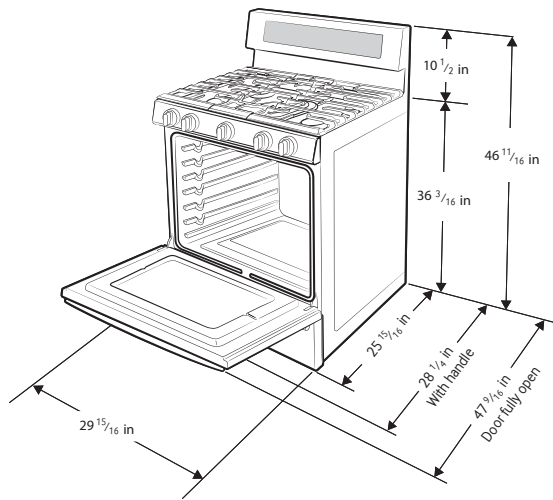
NX58M6630SS

SAMSUNG

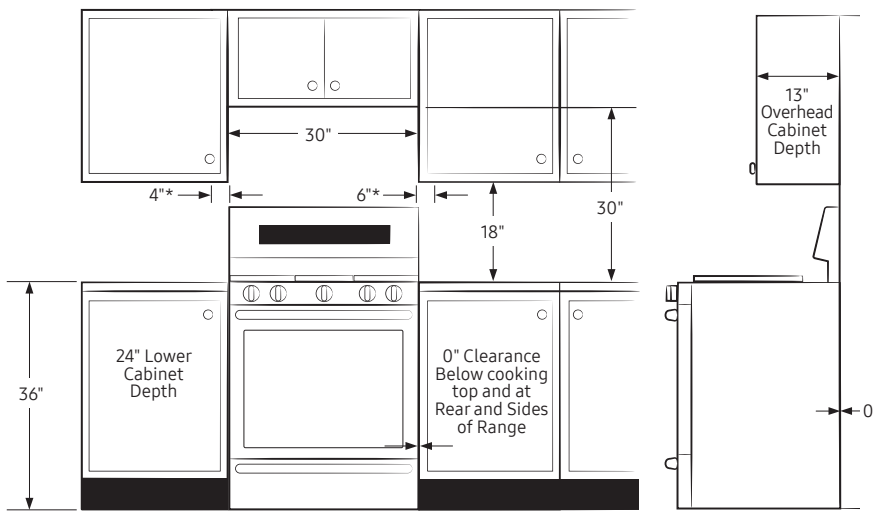
Samsung True Convection Freestanding Gas Range

5.8 cu. ft. Capacity

Product Dimensions



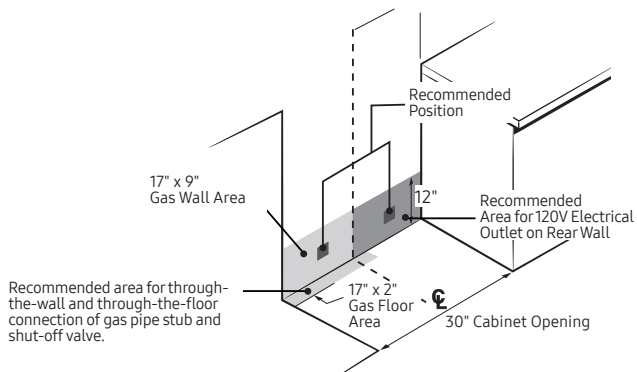
Installing Your Range



* Side clearance above cooking surface to any objects, i.e., wall

IMPORTANT: Consult with Installation Manual for detailed instructions before installing. All ranges must be installed with the Anti-Tip device that is included.

Recommended Locations for Gas Piping and Electrical Outlets



Total Power

58.5K BTU

Power Source

120V/60Hz/20A

Black Enamel 5-Burner Cooktop

- Right Front: 18K BTU
- Left Front: 16K BTU
- Right Rear: 5K BTU
- Left Rear: 9.5K BTU
- Center (Oval): 10K BTU

Oven: 5.8 cu. ft. Capacity

- Bake: 175°F–550°F
- Convection Bake: 175°F–550°F
- Bake Burner: 18K BTU
- Broil Burner: 13.5K BTU
- Variable Broil: Low/Hi (375°F–480°F)
- Convection Roast: 175°F–550°F
- Proofing
- Sabbath Mode

Storage Drawer

Capacity: 0.7 cu. ft.

Warranty

One (1) Year All Parts and Labor
Five (5) Years Gas Cooktop

Product Dimensions & Weight (WxHxD)

Actual Oven Dimensions:
25" x 19" x 21¹/₈"

Outside Net Dimensions:
29¹⁵/₁₆" x 46⁵/₈" x 25¹⁵/₁₆"

Weight: 201 lbs.

Shipping Dimensions & Weight (WxHxD)

Dimensions:
33¹/₁₆" x 50⁵/₈" x 30⁵/₁₆"

Weight: 227 lbs.

Color

Stainless Steel

Model

NX58M6630SS

UPC Code

887276226941

Black Stainless Steel

NX58M6630SG

887276226934