



DISTINCT BY DESIGN™

Owner's Manual & Installation Instructions

Vented Range Hoods

Models: CVW9301 and CVW9361

Contents

Safety Information	3	Installation Instructions	8
Using the Hood		Troubleshooting Tips	20
Controls	5	Limited Warranty	22
Care And Cleaning		Accessories	23
Filter	6	Consumer Support	24
Surfaces	6		
Lights	7		

Write the model and serial numbers here:

Model # _____

Serial # _____

You can find them on a label on the inside of the hood.

Español

Para consultar una version en español de este manual de instrucciones,
visite nuestro sitio de internet cafeappliances.com.

THANK YOU FOR MAKING CAFÉ A PART OF YOUR HOME.

We take pride in the craftsmanship, innovation and design that goes into every Café product, and we think you will too. Among other things, registration of your appliance ensures that we can deliver important product information and warranty details when you need them.

Register your Café appliance now online. Helpful websites are available in the Consumer Support section of this Owner's Manual. You may also mail in the pre-printed registration card included in the packing material.



IMPORTANT SAFETY INFORMATION

READ ALL INSTRUCTIONS BEFORE USING

⚠ WARNING TO REDUCE THE RISK OF FIRE, ELECTRIC SHOCK OR INJURY TO PERSONS, OBSERVE THE FOLLOWING:

- A. Use this unit only in the manner intended by the manufacturer. If you have questions, contact the manufacturer.
- B. Before servicing or cleaning unit, switch power off at service panel and lock the service disconnecting means to prevent power from being switched on accidentally. When the service disconnecting means cannot be locked, securely fasten a prominent warning device, such as a tag, to the service panel.
- C. Do not use this unit with any solid-state speed control device.
- D. This unit must be grounded.

⚠ CAUTION FOR GENERAL VENTILATING USE ONLY. DO NOT USE TO EXHAUST HAZARDOUS OR EXPLOSIVE MATERIALS AND VAPORS.

⚠ CAUTION To reduce risk of fire and to properly exhaust air, be sure to duct air outside. Do not vent exhaust air into spaces within walls or ceilings or into attics, crawl spaces, or garages.

⚠ WARNING TO REDUCE THE RISK OF INJURY TO PERSONS IN THE EVENT OF A RANGE TOP GREASE FIRE, OBSERVE THE FOLLOWING*:

- A. SMOTHER FLAMES with a close-fitting lid, cookie sheet or metal tray, then turn off the burner. BE CAREFUL TO PREVENT BURNS. If the flames do not go out immediately, EVACUATE AND CALL THE FIRE DEPARTMENT.
- B. NEVER PICK UP A FLAMING PAN—You may be burned.
- C. DO NOT USE WATER, including wet dishcloths or towels—a violent steam explosion will result.
- D. Use an extinguisher ONLY if:
 - 1. You know you have a Class ABC extinguisher, and you already know how to operate it.
 - 2. The fire is small and contained in the area where it started.
 - 3. The fire department is being called.
 - 4. You can fight the fire with your back to an exit.

*Based on “Kitchen Fire Safety Tips” published by NFPA.

⚠ WARNING TO REDUCE THE RISK OF A RANGE TOP GREASE FIRE:

- A. Never leave surface units unattended at high settings. Boil overs cause smoking and greasy spillovers that may ignite. Heat oils slowly on low or medium settings.
- B. Always turn hood ON when cooking on high heat or when flambéing food (i.e. Crepes Suzette, Cherries Jubilee, Peppercorn Beef Flambé).
- C. Clean ventilating fans frequently. Grease should not be allowed to accumulate on fan or filter.
- D. Use proper pan size. Always use cookware appropriate for the size of the surface element.

READ AND SAVE THESE INSTRUCTIONS

IMPORTANT SAFETY INFORMATION

READ ALL INSTRUCTIONS BEFORE USING

⚠ WARNING TO REDUCE THE RISK OF FIRE, ELECTRIC SHOCK OR INJURY TO PERSONS, OBSERVE THE FOLLOWING:

- A. Installation work and electrical wiring must be done by qualified person(s) in accordance with all applicable codes and standards, including fire-rated construction.
- B. Sufficient air is needed for proper combustion and exhausting of gases through the flue (chimney) of fuel burning equipment to prevent back drafting. Follow the heating equipment manufacturer's guidelines and safety standards such as those published by the National Fire Protection Association (NFPA), the American Society for Heating, Refrigeration and Air Conditioning Engineers (ASHRAE) and the local code authorities. When applicable, install any makeup (replacement) air system in accordance with local building code requirements. Visit cafeappliances.com for available makeup air solutions.
- C. When cutting or drilling into wall or ceiling, do not damage electrical wiring and other hidden utilities.
- D. Ducted fans must always be vented to the outdoors.
- E. Turn off breaker to adjacent rooms while working.

⚠ WARNING TO REDUCE THE RISK OF FIRE, USE ONLY METAL DUCTWORK.

Do not attempt to repair or replace any part of your hood unless it is specifically recommended in this manual. All other servicing should be referred to a qualified technician.

How to Remove Protective Shipping Film and Packaging Tape

Carefully grasp a corner of the protective shipping film with your fingers and slowly peel it from the appliance surface. Do not use any sharp items to remove the film. Remove all of the film before using the appliance for the first time.

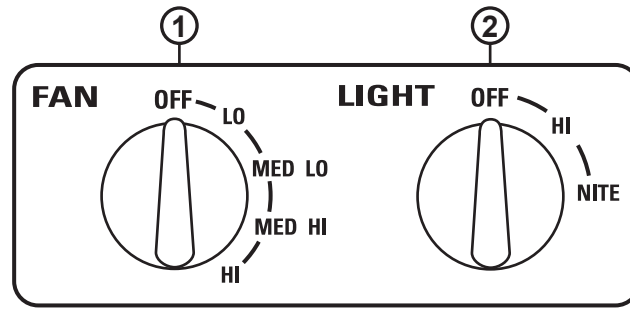
To assure no damage is done to the finish of the product, the safest way to remove the adhesive from packaging tape on new appliances is an application of a household liquid dishwashing detergent. Apply with a soft cloth and allow to soak.

NOTE: The adhesive must be removed from all parts.

READ AND SAVE THESE INSTRUCTIONS

Controls

Throughout this manual, features and appearance may vary from your model.



- 1. FAN Control:** Turn the **FAN** speed control to **LO**, **MED LO**, **MED HI** or **HI**, as needed. Continuous use of the fan system while cooking helps keep the kitchen comfortable and less humid. It also reduces cooking odors and soiling moisture that create a frequent need for cleaning. **NOTE:** When the fan is operating on the LO setting, it will be very quiet. Always make sure that the fan is turned OFF when you are finished in the kitchen.
- 2. LIGHT Control:** Turn the **LIGHT** control to **HI** for bright light while cooking. Turn to **NITE** for use as a night light.

Filter

Be sure the circuit breaker is off and all surfaces are cool before cleaning or servicing any part of the vent hood.

Reusable Metal Grease Filters

The hood has 2 metal reusable grease filters.

The metal filters trap grease released by foods on the cooktop. They also help prevent flaming foods on the cooktop from damaging the inside of the hood.

For this reason, the filters must **ALWAYS** be in place when the hood is used. The grease filters should be cleaned once a month, or as needed.

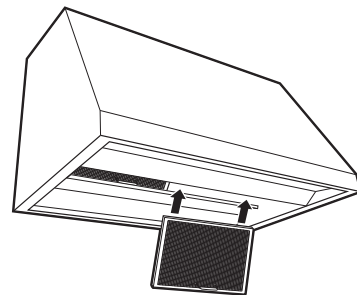
To clean the grease filters, soak them and then swish them around in hot water and detergent. Don't use ammonia or ammonia products because they will darken the metal. Do not use abrasives or oven cleaners. Light brushing can be used to remove embedded dirt. Rinse, shake and let them dry before replacing.

To remove:

Grasp the filter handle and pull it up, forward and out.

To replace:

1. Hold the filter at the bottom with the handle.
2. Place the top end of the filter against the inside front of the hood.
3. Slide it up until it stops and push the bottom end back until it snaps into place.



Surfaces

Stainless Steel Surfaces (on some models)

Do not use a steel wool pad; it will scratch the surface.

To clean the stainless steel surface, use warm sudsy water or a stainless steel cleaner or polish. Always wipe the surface in the direction of the brush line. Follow the cleaner instructions for cleaning the stainless steel surface. Cleaners with oxalic acid such as **Bar Keepers Friend Soft Cleanser™** will remove surface rust, tarnish, and small blemishes. To receive a \$2.00 coupon for a trial sample of **Bar Keepers Friend Soft Cleanser™** follow the link below or scan the QR Code.



www.barkeepersfriend.com/ge

Use only a liquid cleanser free of grit and rub in the direction of the brush lines with a damp soft sponge.

To inquire about purchasing stainless steel appliance cleaner or polish, or to find the location of a dealer nearest you, visit cafeappliances.com/parts.

Painted Surfaces (on some models)

Do not use a steel wool pads or other abrasive cleaners; they will scratch the surface.

Clean grease-laden surfaces of the hood frequently. To clean the hood surface, use a hot, damp cloth with a mild detergent suitable for painted surfaces. About one tablespoon of ammonia may be added to the water. Use a clean, hot, damp cloth to remove soap. Dry with a dry, clean cloth.

NOTE: When cleaning, take care not to come in contact with filters and other surfaces.

CAUTION When cleaning the hood surfaces, be certain that you do not touch the light with moist hands or cloth. A warm or hot light may break if touched with a moist surface. Always let the light cool completely before cleaning around it.

Lights

Be sure electrical power is off and all surfaces are cool before cleaning or servicing any part of the vent hood.

NOTE: The glass cover should be removed only when cold. Wearing latex gloves may offer a better grip.

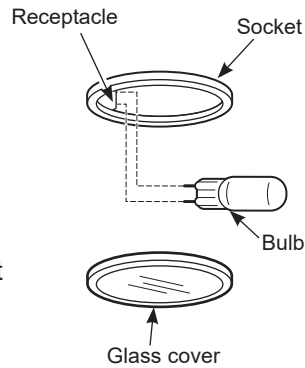
CAUTION Before replacing your light bulb, disconnect the electrical power to the hood at the main fuse or circuit breaker panel.

Be sure to let the light cover and bulb cool completely.

For your safety, do not touch a hot bulb with bare hands or a damp cloth.

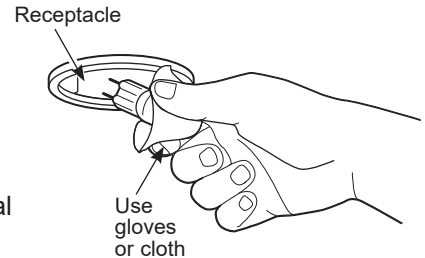
To remove:

1. Turn the glass cover counterclockwise until the glass cover clears the socket.
2. Using gloves or a dry cloth, remove the bulb by pulling it straight out.



To replace:

1. Use a new 12-volt, 20-watt (maximum) Halogen bulb for a G-4 base.
2. Using gloves or a dry cloth, remove the new bulb from its packaging. **NOTE:** Do not touch the new halogen bulb with bare fingers. Touching the bulb with bare fingers will significantly reduce the life of the bulb.
3. Push the bulb straight into the receptacle all the way.
4. Place the glass cover onto the socket and turn clockwise until secure. For improved lighting, clean the glass cover frequently using a damp cloth. This should be done when the hood is completely cool.
5. Reconnect electrical power to the hood.



Installation Instructions

Range Hoods

If you have questions, visit our website at: cafeappliances.com

BEFORE YOU BEGIN

Read these instructions completely and carefully.

- **IMPORTANT** — Save these instructions for local inspector's use.
- **IMPORTANT** — Observe all governing codes and ordinances.
- **Note to Installer** – Be sure to leave these instructions with the Consumer.
- **Note to Consumer** – Keep these instructions for future reference.
- **Skill level** – Installation of this vent hood requires basic mechanical and electrical skills.
- **Completion time** – Approximately 1 to 3 hours
- Proper installation is the responsibility of the installer.
- Product failure due to improper installation is not covered under the Warranty.

⚠ CAUTION Due to the weight and size of these vent hoods and to reduce the risk of personal injury or damage to the product, **TWO PEOPLE ARE REQUIRED FOR PROPER INSTALLATION.**

FOR YOUR SAFETY

⚠ WARNING Before beginning the installation, switch power off at service panel and lock the service disconnecting means to prevent power from being switched on accidentally. When the service disconnecting means cannot be locked, securely fasten a prominent warning device, such as a tag, to the service panel.

⚠ WARNING TO REDUCE THE RISK OF FIRE, ELECTRIC SHOCK OR INJURY TO PERSONS, OBSERVE THE FOLLOWING:

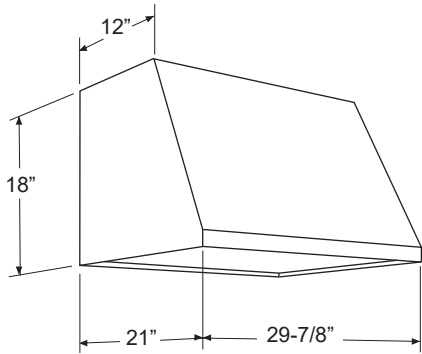
- A. Installation work and electrical wiring must be done by qualified person(s) in accordance with all applicable codes and standards, including fire-rated construction.
- B. Sufficient air is needed for proper combustion and exhausting of gases through the flue (chimney) of fuel burning equipment to prevent back drafting. Follow the heating equipment manufacturer's guidelines and safety standards such as those published by the National Fire Protection Association (NFPA), the American Society for Heating, Refrigeration and Air Conditioning Engineers (ASHRAE) and the local code authorities.
- C. When cutting or drilling into wall or ceiling, do not damage electrical wiring and other hidden utilities.
- D. Ducted fans must always be vented to the outdoors.
- E. Turn off breaker to adjacent rooms while working.

⚠ WARNING TO REDUCE THE RISK OF FIRE, USE ONLY METAL DUCT WORK.

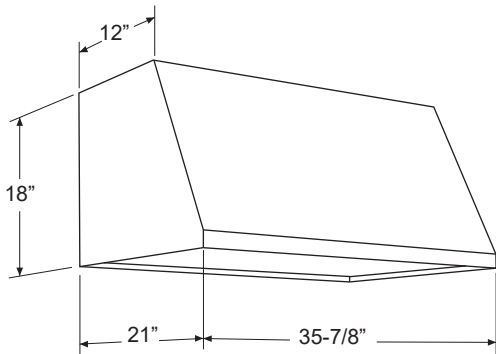
⚠ WARNING Disconnect all electrical power at the main circuit breaker or fuse box before installing.

Installation Preparation

PRODUCT DIMENSIONS



30" Models
Requires a 30" opening.



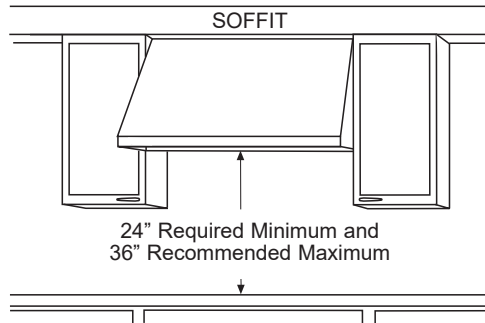
36" Models
Requires a 36" opening.

INSTALLATION CLEARANCES

These vent hoods are designed to be installed onto a wall. They may be installed beneath a soffit or cabinet.

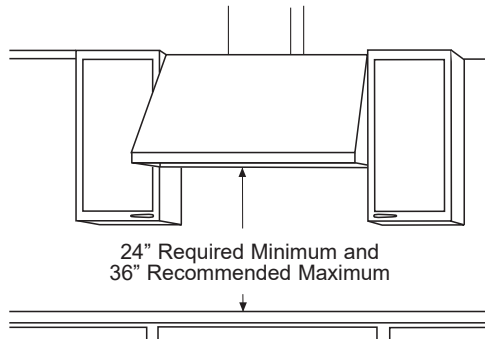
- The hoods are designed to fit 12" deep cabinets. When installed onto 15" deep cabinets, a filler panel accessory is available: Order **JXS50SS** for 30" wide hoods or **JXS56SS** for 36" wide hoods.
- Install these hoods 24" required minimum and 36" recommended maximum above the cooking space.

SOFFIT INSTALLATION



In this installation, the ductwork running from the top of the hood will be concealed in the soffit or upper cabinetry.

WALL MOUNT INSTALLATION



For this installation, a decorative duct cover is available to conceal the ductwork running from the top of the hood. Use of the duct cover requires special consideration to the installation height above the countertop. See page 12 for details.

Installation Preparation

OPTIONAL ACCESSORIES

Duct Cover

A decorative duct cover is available to accommodate 8 to 10 ft. ceiling heights. The duct cover will expand from 12" minimum or 24" to 36" maximum height.

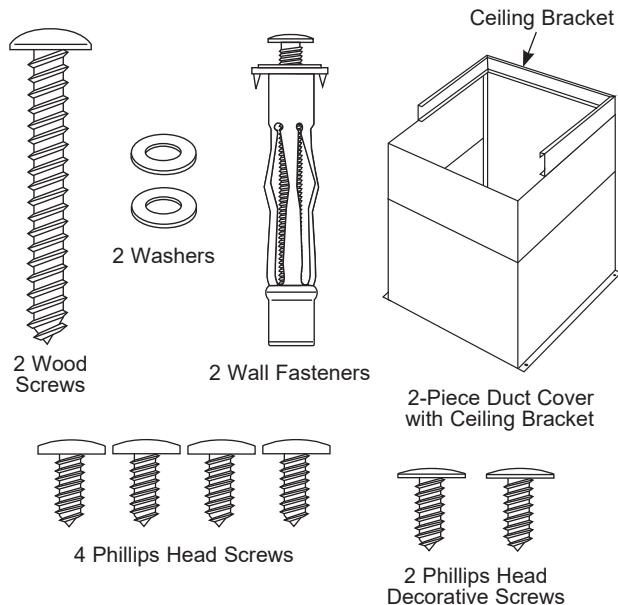
- The duct cover conceals the ductwork running from the top of the hood to the ceiling.
- The duct cover accessory fits both 30" and 36" wide models. Order the duct cover accessory at the same time as the vent hood. All accessories should be on site at the time of hood installation.

Order:

UXCHSS for Stainless Models

UXCHDS for Matte Black Models

UXCH4NWM for Matte White Models



ADVANCE PLANNING

Duct Install Planning

- This hood may be vented vertically through upper cabinets, soffit or ceiling. A duct transition piece is supplied for vertical exhaust. Use locally supplied elbows to vent horizontally through the rear wall.
- Use metal ductwork only.
- Determine the exact location of the vent hood.
- Plan the route for venting exhaust to the outdoors. To maximize the ventilation performance of the vent system:
 1. Minimize the duct run length and number of transitions and elbows.
 2. Maintain a constant duct size.
 3. Seal all joints with duct tape to prevent any leaks.
 4. Do not use any type of flexible ducting.
- Use the shortest and straightest duct route possible.
- Install a wall cap or roof cap with damper at the exterior opening. Order the wall or roof cap and any transition needed in advance.
- When applicable, install any makeup (replacement) air system in accordance with local building code requirements. Visit cafeappliances.com for available makeup air solutions.

Wall Framing for Adequate Support

- This vent hood is heavy. Adequate structural support must be provided. The hood must be secured to vertical studs in the wall. See page 15.
- We strongly recommend that the vent hood with duct cover be on site before final framing and wall finishing. This will also help to accurately locate the ductwork and electrical service.

Installation Preparation

DECORATIVE DUCT COVERS

A decorative duct cover is available to fit both model widths. The duct cover conceals the ductwork running from the top of the hood to the ceiling or soffit. The duct cover will fit 8 ft. to 10 ft. ceiling heights. See page 13 for details.

POWER SUPPLY

IMPORTANT – (Please read carefully)

▲WARNING

FOR PERSONAL SAFETY, THIS APPLIANCE MUST BE PROPERLY GROUNDED.

Remove house fuse or open circuit breaker before beginning installation.

Do not use an extension cord or adapter plug with this appliance. Follow National Electrical Codes or prevailing local codes and ordinances.

Electrical supply

These vent hoods must be supplied with 120V, 60Hz, and connected to an individual, properly grounded branch circuit, and protected by a 15 or 20 amp circuit breaker or time delay fuse.

- Wiring must be 2 wire with ground.
- If the electrical supply does not meet the above requirements, call a licensed electrician before proceeding.
- Route house wiring as close to the installation location as possible in the ceiling or wall.
- Connect the wiring to the house wiring in accordance with local codes.

Grounding instructions

The grounding conductor must be connected to a ground metal, permanent wiring system, or an equipment-grounding terminal or lead on the hood.

▲WARNING

The improper connection of the equipment-grounding conductor can result in a risk of electric shock. Check with a qualified electrician or service representative if you are in doubt whether the appliance is properly grounded.

**This Hood Must Use 7" Round Duct.
It Can Transition To 3-1/4" x 12" Duct.**

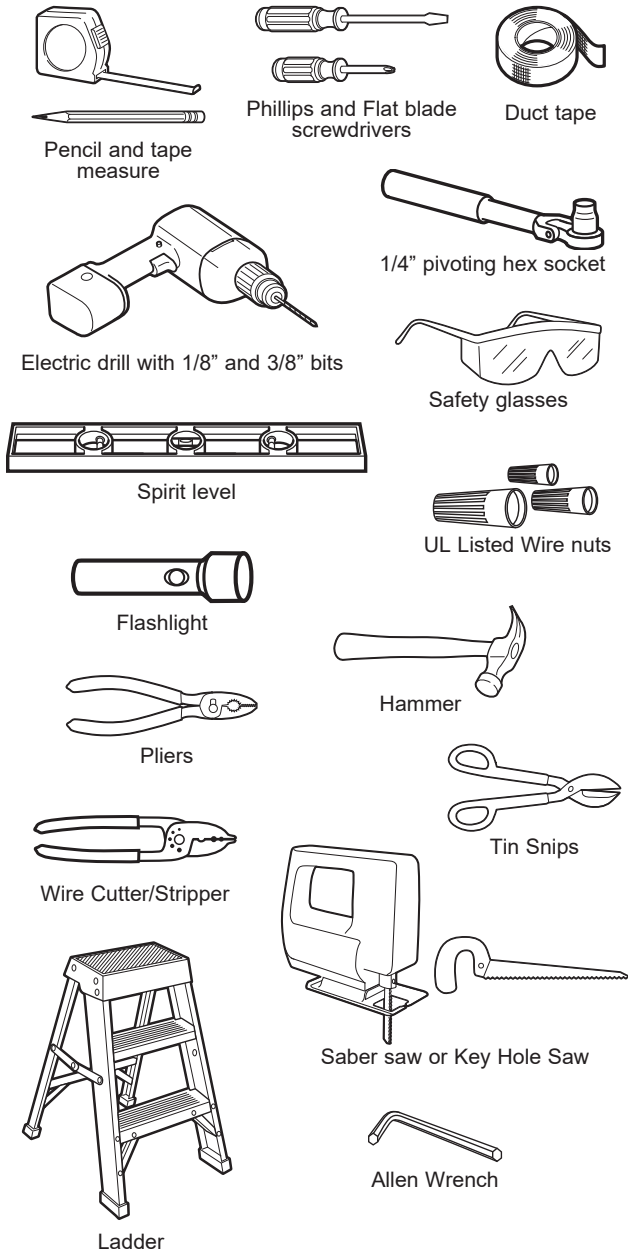
Do NOT use flexible plastic ducting.

NOTE: Any home ventilation system, such as a ventilation hood, may interrupt the proper flow of combustion air and exhaust required by fireplaces, gas furnaces, gas water heaters and other naturally vented systems. To minimize the chance of interruption of such naturally vented systems, follow the heating equipment manufacturer's guidelines and safety standards such as those published by NFPA and ASHRAE. When applicable, install any makeup (replacement) air system in accordance with local building code requirements. Visit cafeappliances.com for available makeup air solutions.

**Using a smaller diameter duct size
will reduce performance.**

Installation Preparation

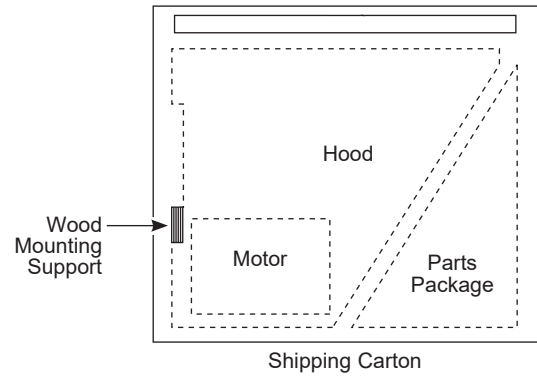
TOOLS AND MATERIALS REQUIRED (NOT SUPPLIED)



Additional Materials:

- 120V 60Hz, 15 or 20 Amp, 2 wire with ground. Properly grounded branch circuit.
- Strain relief for junction box.
- 7" round metal duct or 3-1/4" x 12" rectangular duct length to suit installation.

REMOVE THE PACKAGING

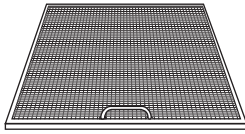


- Remove the small box housing the motor.
- Lift the hood out of the box.
- Remove shipping screws holding the wood mounting piece to the back side of the hood. Set aside wood mounting piece and screws for later installation. Do not discard.
- Remove the "V" shaped carton insert.
- Remove parts package from the "V" shaped cardboard insert.
- Remove junction box cover and knockout.
- Install strain relief onto back or top of hood.
- Remove all tape and packing material from the hood, duct transition and motor.

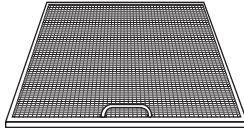
Installation Preparation

PARTS PROVIDED

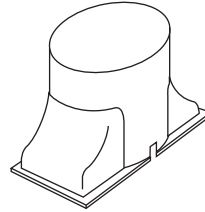
Locate the hardware accessory box packed with the hood and check contents.



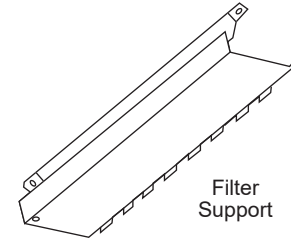
2 Aluminum Grease Filters



Screws, wall fasteners, washers



Duct Transition with Damper



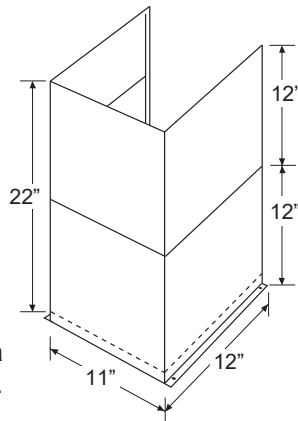
Filter Support

DUCT COVER REQUIREMENTS

We recommend that the vent hood and decorative duct cover (if used) be on site before final framing and wall finishing. This will help to accurately locate duct studs, ductwork, and electrical service. Read these instructions to determine if the duct cover accessory can be used for your installation situation.

Duct Cover Accessory:

- Use the decorative duct cover to conceal ductwork running from the top of the hood to the ceiling.
- The duct cover accessory consists of 2 pieces. The outside piece is 12" high, the inside piece is 22". Nested together they are 24" minimum expanding to a total maximum height of 34".
- The outside piece can be used alone to fill a 12" height.
- For heights over 12", the ceiling bracket must be installed to secure the cover at the top.



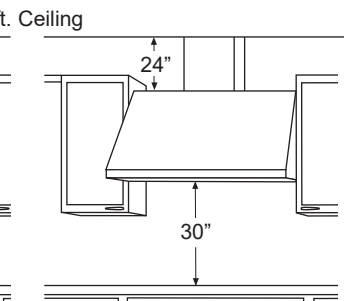
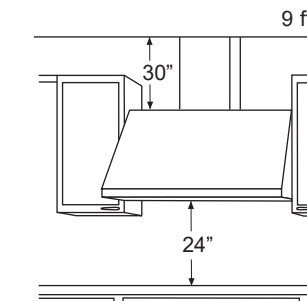
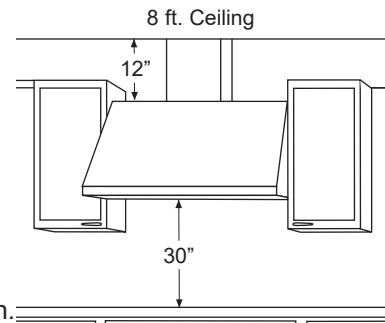
To avoid unsightly gaps, plan the hood installation height for duct cover use.

- The cover will fit a 12" minimum height from the top of the hood to the ceiling or 24" minimum and expanding up to 34" from the top of the hood to the ceiling.

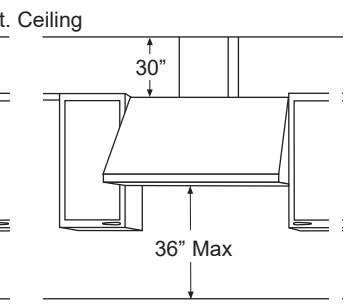
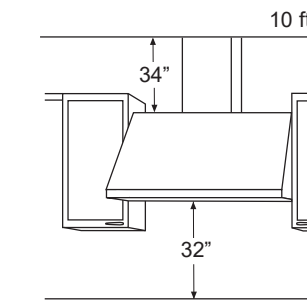
THE DUCT COVER CANNOT BE USED WHEN THE DISTANCE ABOVE THE TOP OF THE HOOD IS BETWEEN 12" AND 24".

Review the following examples to ensure a trouble free installation using the duct cover accessory.

8ft. Ceilings: The hood must be installed at 30" above the cooking surface (or 66" above the floor), the duct cover will not fit if the hood is installed at a lower or higher height. Use the outside 12" section, discard the inside section.



9 ft Ceiling: Install the hood 24" min. and up to a maximum of 30" above the cooking surface. The duct cover will expand to reach ceiling height.



10 ft. Ceiling: Install the hood 32" min to 36" max. above the cooking surface. The duct cover will expand to a maximum of 34" above the top of the hood to meet the ceiling.

Installation Preparation

DETERMINE HOOD, DUCTWORK AND WIRING LOCATIONS

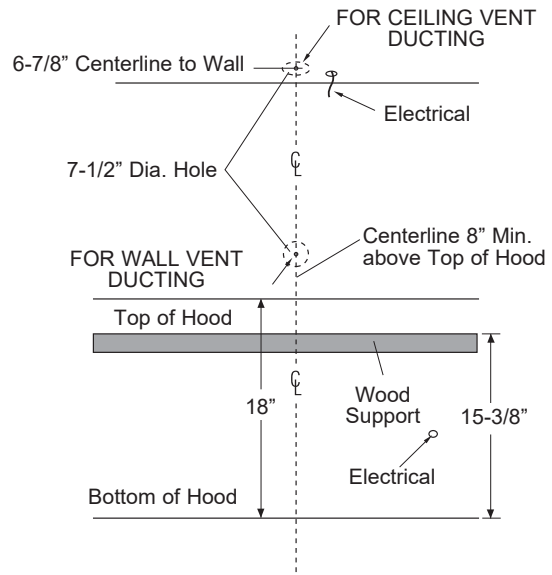
- Keep the wood support piece and its screws for later installation. Do not discard.
- Measure desired distance from the bottom of the hood to the cooking surface, 24" required minimum and 36" recommended maximum. Refer to the previous page if the accessory duct cover will be used.
- Use a level to draw a horizontal line indicating the bottom of the hood.
- Use a level to draw the cooktop centerline location.
- Measure 15-3/8" up from the horizontal line for the bottom of the hood. Draw another horizontal line.
- Measure 18" up from the line for the bottom of the hood, draw another horizontal line to indicate the top of the hood.

For Vertical (Straight Up) Ducting:

- If venting out the ceiling, extend the centerline forward on the ceiling.
 - Measure 6-7/8" from drywall to mark centerline for a 7-1/2" diameter duct hole on the ceiling.
 - If drywall is not present, add drywall thickness to the 6-7/8" dimension.

Venting Through a Soffit or Upper Cabinet:

- Follow the same procedure for ceiling ducting to cut the 7-1/2" dia. hole through the top of the cabinet or soffit.
- See Step 4, page 16 for details to cut opening for duct transition.



For Ducting Through Rear Wall:

- Measure the supplied duct transition with any straight run length of duct used, plus 90" elbow height. Draw a horizontal line on the wall intersecting the centerline.

House Wiring Location:

- The junction box is fastened to the back of the hood on the right side. See illustrations for hood knockout locations.

NOTE: The junction box can be relocated to the inside top of the hood.

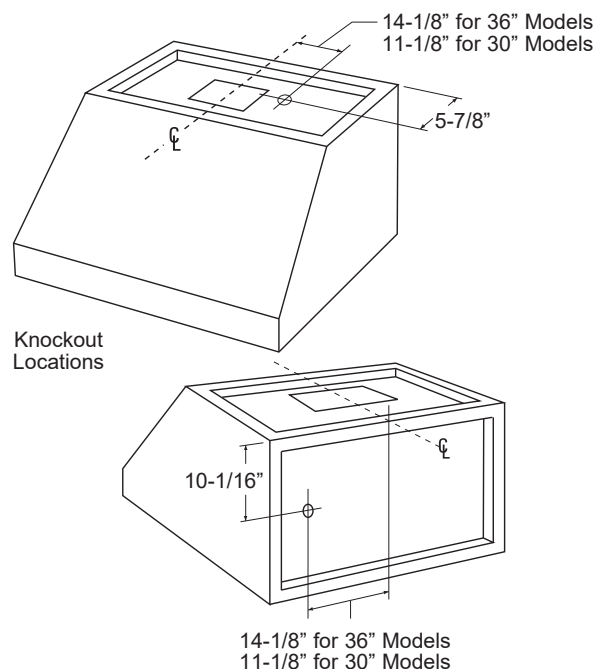
House wiring may enter the junction box from the rear or the top of the hood at the right side.

To route house wiring through the ceiling or soffit:

- Cut a hole approximately 1" dia., 5-7/8" forward on the ceiling; 11-1/8" to the right of the centerline for 30" models or 14-1/8" to the right of the centerline for 36" models.

To route house wiring through the wall:

- Cut a hole approximately 1" dia. 10-1/16" down from the top of the hood, 11-1/8" to the right of the centerline for 30" models or 14-1/8" to the right of the centerline for 36" models.
- Remove top or rear knockout depending on your installation.
- Install strain relief onto back or top of hood.

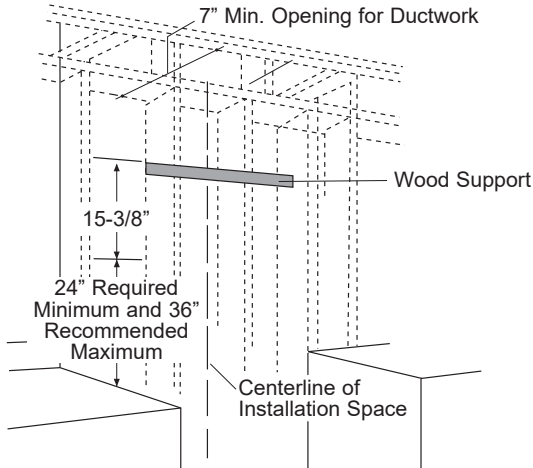


Installation Instructions

1 INSTALL HOOD SUPPORT

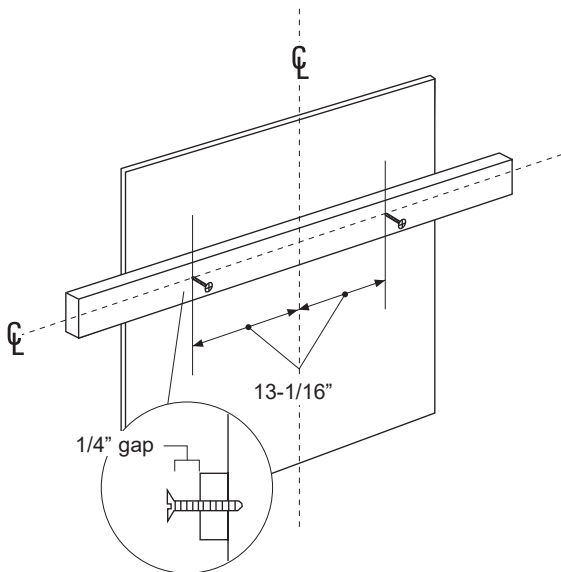
IMPORTANT: Framing must be capable of supporting 100 lbs.

- Locate at least 2 vertical studs at the wood mounting location by tapping drywall with a hammer or use a stud finder.
- Center the supplied wood horizontal support, left to right, and below the marked line.



- Drill 1/8" pilot holes through the support, drywall and into the studs. Secure the support to 2 or more vertical studs with supplied wood screws.

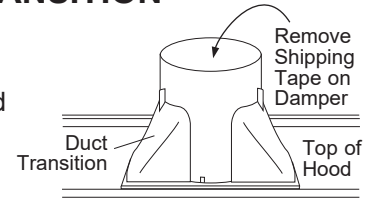
IMPORTANT: Screws must penetrate at least 1-1/2" into vertical studs. Countersink screws into support.



- Install mounting screws in the center of the wood support, 13-1/16" from the centerline. The screws should protrude forward 1/4". This 1/4" gap will provide clearance to hang the hood.

2 INSTALL TRANSITION

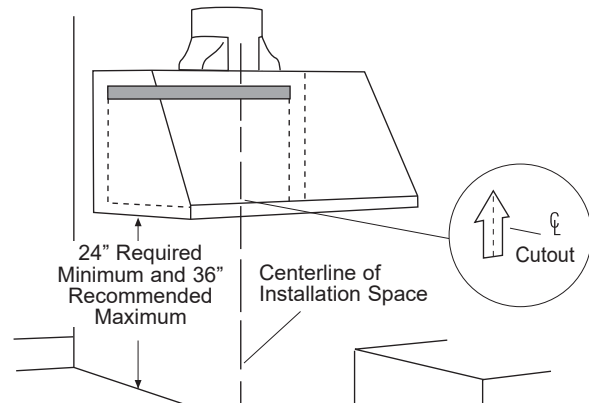
IMPORTANT: Remove shipping tape from damper and check that damper moves freely.



- Place the transition piece over the hood exhaust. Secure transition to hood with 4 screws provided.
- Use duct tape to seal the connection.

3 INSTALL HOOD ONTO WALL

- Lift the hood and place over the wood support. The top keyhole slots in the hood should engage the protruding mounting screws. Allow the hood to slide down into position.
- Pull house wiring through knockout at the rear or top of the hood.
- Check to be sure the hood is level and centered. The arrow shaped cutout in the back of the hood allows viewing the marked centerline.
- Remove cover from junction box.



Drill Bottom Mounting Hole Locations

- Drill 1/8" pilot holes into the two lower mounting holes. Enlarge the holes if they do not enter studs to 3/8". Tap anchors for wall fasteners into bottom holes. Install screws by hand into the fasteners to allow anchors to expand against the wall. Remove screws.
- Using two large flat washers (supplied), install wood screws or wall fastener screws, loosely, into lower mounting holes. Do not tighten.
- Check hood level. Tighten upper screws. Tighten lower mounting screws.
- For additional security, drive screws through the original wood support screw holes in the back of the hood.

Installation Instructions

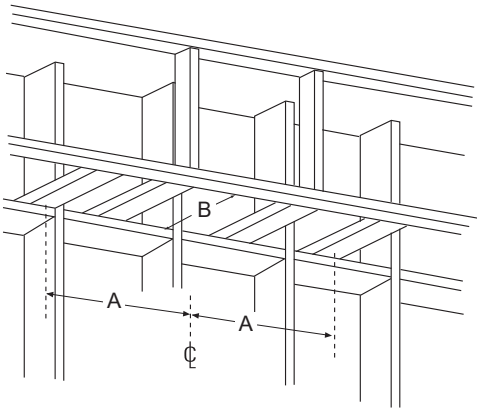
4 (Alternate Mounting Method) INSTALL HOOD TO SOFFIT OR BENEATH CABINETS

SKIP THIS STEP IF USING WALL MOUNTING METHOD

IMPORTANT: Soffit framing must be capable of supporting 100 lbs.

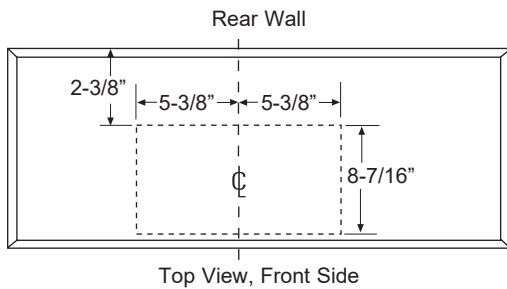
When necessary the hood may be installed so that it is supported by the soffit.

- The soffit should be constructed with 2x4's.
- Determine the installation location.
- Continue the centerline forward on the bottom of the cabinet or soffit.



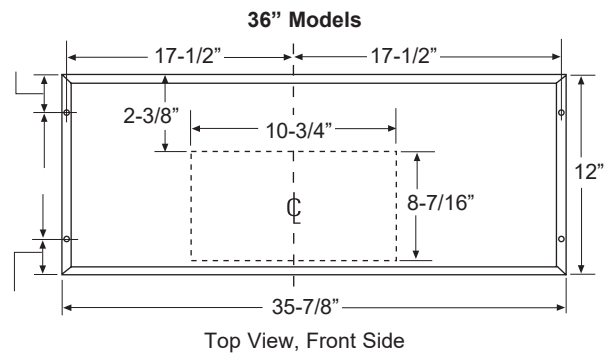
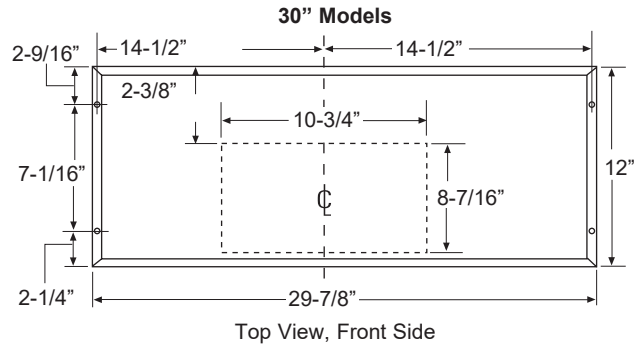
	"A" Centerline to Center of Stud	"B" Opening for Ductwork
30" Models	14-1/2"	10-3/4" W x 8-7/16 D
36" Models	17-1/2"	10-3/4" W x 8-7/16 D

- Mounting screws must be secured to 2 x 4 studs (Dim. "A") at locations shown in the above chart.
- Allow minimum opening (Dim. "B") to accommodate the duct transition in the soffit.

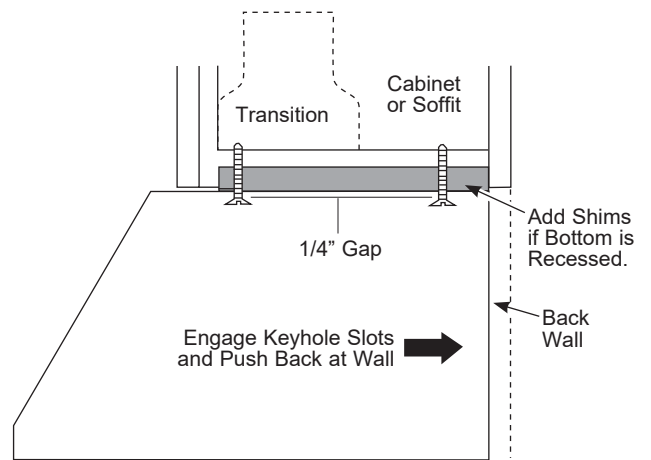


Cut a 10-3/4" x 8-7/16" hole through bottom of soffit or cabinet for duct transition as shown.

IMPORTANT: For additional support and to minimize vibration during operation, we strongly recommend that the hood also be secured to the back wall with wall fasteners.



- Drill four 1/8" pilot holes in locations show.
- If mounting to the underside of a cabinet with a recessed bottom, install shims to fill the gap.



- Drive mounting screws into the studs until they protrude 1/4". This 1/4" gap will provide clearance to engage the keyhole slots in the top of the hood.
- Lift hood onto mounting screws. Slide back against the rear wall.
- Pull house wiring through the knockout at the rear or top of the hood.
- Tighten mounting screws.

Installation Instructions

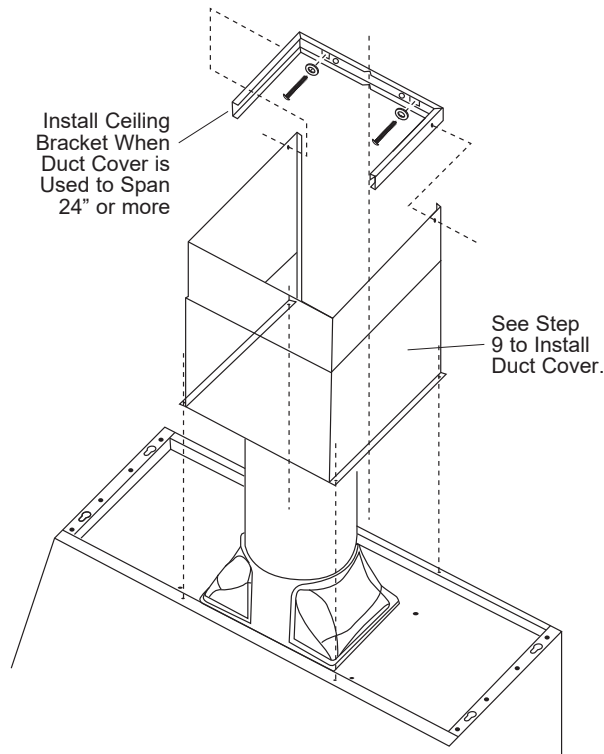
5 INSTALL CEILING BRACKET

The ceiling bracket must be installed when the duct cover is used to span 24" or more height above the hood. The bracket will hold the decorative duct cover in place at the top.

NOTE: The ceiling bracket is not required when using only the 12" section of the duct cover.

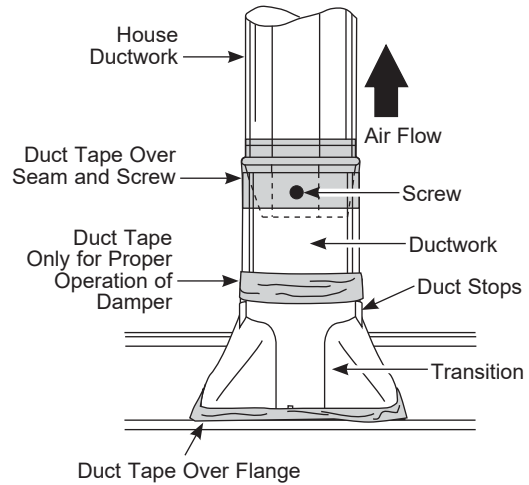
- Install the 2 small screws into the sides of the duct bracket. Remove the screws. Pre-tapping the holes will insure ease of final installation.
- Match center notch on the bracket to the centerline on the wall and flush against the ceiling.
- Mark the 2 screw hole locations.
- Drill 2/8" pilot holes in marked bracket location.
- If pilot holes do not enter studs, enlarge the holes to 3/8" and install wall fastener anchors.
- Secure the bracket to the rear wall with wood screws and washers. Use wall anchors if needed.

NOTE: Bracket has 2 sets of holes. Use larger holes for wall fasteners or wood screws with washers. Use smaller holes for wood screws with washers.



6 CONNECT DUCTWORK

- Push duct over the end of the transition until it reaches the stop tabs.
- Install ductwork, making connections in direction of airflow as illustrated.
- Secure joints in ductwork with sheet metal screws.
- Wrap all duct joints with duct tape for an airtight seal.
- Use duct tape to seal the flange connection

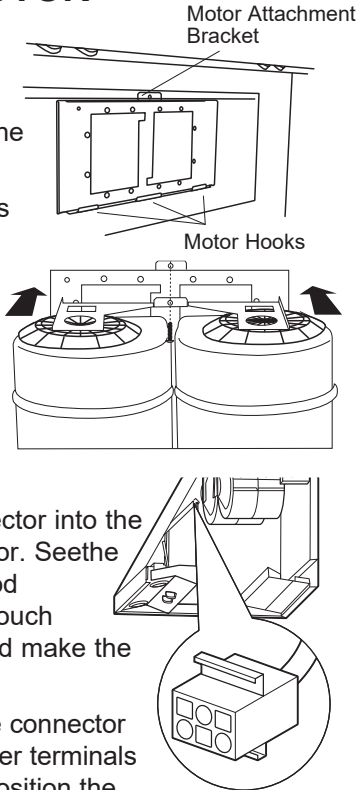


CAUTION Do not use sheet metal screws at the transition to ductwork connection. Doing so will prevent proper damper operations. Seal connection with tape only.

Installation Instructions

7 INSTALL MOTOR

- Align and engage the slots in the blower assembly to the 3 hooks at the rear of the exhaust opening.
- Rotate motor upwards until it aligns with the attachment screw location.
- Secure the motor to attachment bracket at the front of the opening with washer and screw provided.
- Plug the motor connector into the mating hood connector. See the illustration for the hood connector location. Touch the hood to locate and make the connection.

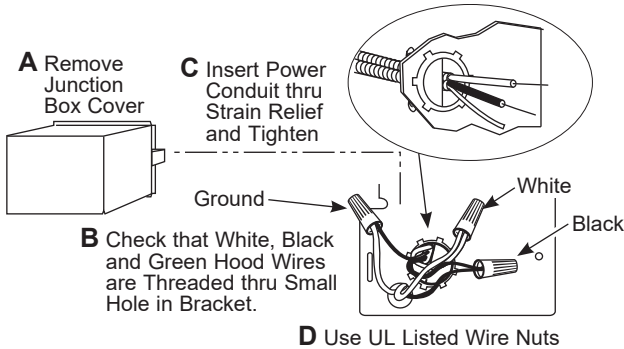


IMPORTANT: Hold the connector so the two square corner terminals are at the top as you position the connector to plug it in.

8 CONNECT ELECTRICAL

Verify that power is turned off at the source.

⚠ WARNING If house wiring is not 2-wire with a ground wire, a ground must be provided by the installer. When house wiring is aluminum, be sure to use UL approved anti-oxidant compound and aluminum-to-copper connectors.



- Use wire nuts to connect incoming ground to green, white to white, and black to black.
- Push wires into junction box and replace cover. Be sure wires are not pinched.

9 INSTALL DUCT COVERS

To install the 12" duct cover alone:

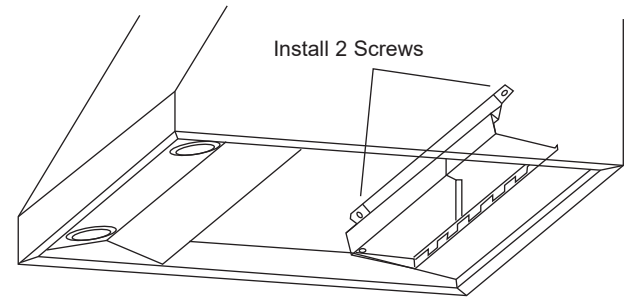
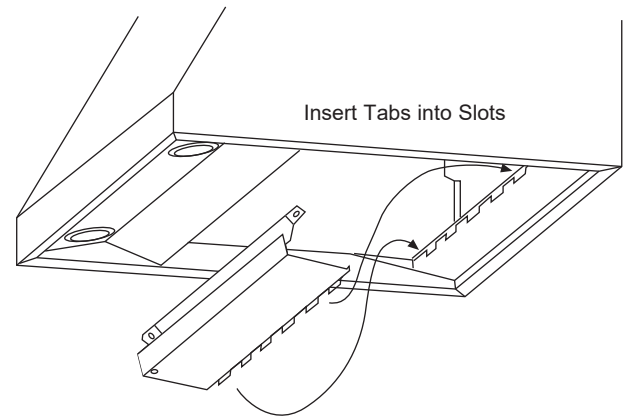
- Place the 12" section of the decorative duct cover on top of the hood.
- Secure the cover on the top of the hood with 4 screws provided.

To install the 2-piece duct cover:

- Place the 2-piece duct cover on the top of the hood.
- Secure the bottom cover to the top of the hood with 4 screws provided. See illustration, page 16.
- Extend the inside section upwards to meet the ceiling and ceiling bracket
- Secure the duct cover to the bracket with the 2 small Phillips screws provided.

10 INSTALL FILTER SUPPORT

- Tip filter support into the rear of the hood.
- Insert support tabs into the slots at the rear of the hood.

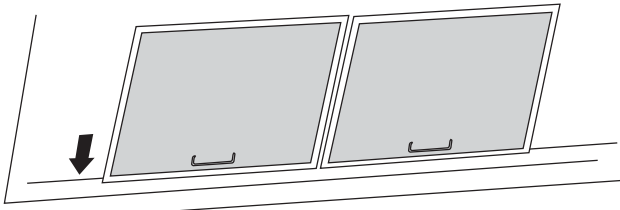
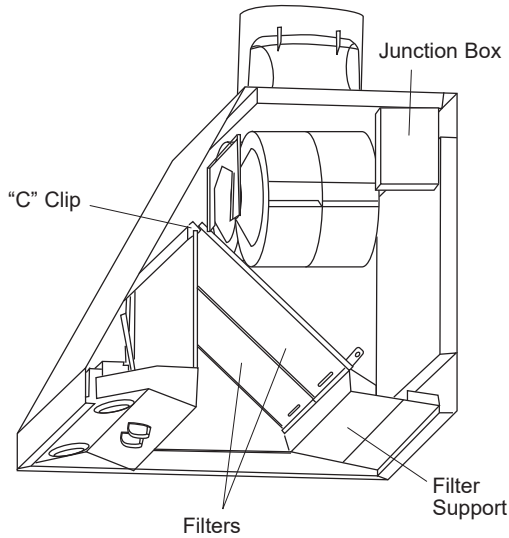


- Secure the support to the hood with screws as shown.

Installation Instructions

11 INSTALL FILTERS

- Remove protective film covering the filters.
- Insert the filter into the “C” clips mounted to the top of the vertical front panel.
- Tap the filter against one side to align with outside opening.
- Pull the filter down into the lower slots at the bottom of the filter support.



- To remove the filters, grasp the handle, push the filter up, and pull forward.

12 FINALIZE INSTALLATION

- Refer to the operating instructions to test all controls.

Troubleshooting tips ... Before you schedule service

Save time and money! Review the charts on the following pages first and you may not need to schedule service.

Problem	Possible Cause	What To Do
Fan does not operate when the switch is on	A fuse may be blown or a circuit breaker tripped.	Replace fuse or reset circuit breaker.
	The blower connector is loose or not plugged into its mating connector.	Disconnect power to the unit. Remove the filters and look up at the blower. If the blower connector plug is loose or you see the connector dangling, the installer failed to plug it in securely. Although it is a blind connection, it is easy to plug in. See the Installation Instructions in this manual for the plug location and how to plug the connector in.
Fan fails to circulate air or moves air slower than normal	Excessively soiled filters.	Remove the filters, clean if necessary and replace them. If cleaning and replacing the filters does not correct the problem, schedule service.
		Sufficient makeup (replacement) air is required for exhausting appliances to operate to rating. Check with local building codes, which may require or strongly advise the use of makeup air. Visit cafeappliances.com for available makeup air solutions.

Notes

Café Vented Range Hood Limited Warranty

cafeappliances.com

All warranty service is provided by our Factory Service Centers, or an authorized service technician. To schedule service online, visit us at cafeappliances.com/service. Please have your serial number and your model number available when scheduling service.

Servicing your appliance may require the use of the onboard data port for diagnostics. This gives a Café factory service technician the ability to quickly diagnose any issues with your appliance and helps Café improve its products by providing Café with information on your appliance. If you do not want your appliance data to be sent to Café, please advise your technician not to submit the data to Café at the time of service.

For the period of	Café will replace
One year From the date of the original purchase	Any part of the cooking product which fails due to a defect in materials or workmanship. During this limited one-year warranty , Café will provide, free of charge , all labor and related service costs to replace the defective part.

What Café will not cover:

- Service trips to your home to teach you how to use the product.
- Improper installation, delivery, or maintenance.
- Failure of the product if it is abused, misused, modified, or used for other than the intended purpose or used commercially.
- Replacement of house fuses or resetting of circuit breakers.
- Damage to the product caused by accident, fire, floods, or acts of God.
- Damage to finish, such as surface rust, tarnish, or small blemishes not reported within 48 hours of delivery.
- Incidental or consequential damage caused by possible defects with this appliance.
- Damage caused after delivery.
- Product not accessible to provide required service.
- Service to repair or replace light bulbs, except for LED lamps.

EXCLUSION OF IMPLIED WARRANTIES

Your sole and exclusive remedy is product repair as provided in this Limited Warranty. Any implied warranties, including the implied warranties of merchantability or fitness for a particular purpose, are limited to one year or the shortest period allowed by law.

This limited warranty is extended to the original purchaser and any succeeding owner for products purchased for home use within the USA. If the product is located in an area where service by a Café Authorized Servicer is not available, you may be responsible for a trip charge or you may be required to bring the product to an Authorized Café Service location for service. In Alaska, the limited warranty excludes the cost of shipping or service calls to your home. Some states do not allow the exclusion or limitation of incidental or consequential damages. This limited warranty gives you specific legal rights, and you may also have other rights which vary from state to state. To know what your legal rights are, consult your local or state consumer affairs office or your state's Attorney General.

Warrantor: GE Appliances, a Haier company
 Louisville, KY 40225

Extended Warranties: Purchase a Café extended warranty and learn about special discounts that are available while your warranty is still in effect. You can purchase it online anytime at

cafeappliances.com/extended-warranty

Café Service will still be there after your warranty expires.

Staple your receipt here. Proof of the original purchase date is needed to obtain service under the warranty.

Accessories

Looking For Something More?

Café offers a variety of accessories to improve your cooking and maintenance experiences!

Refer to the Consumer Support page for website information.

The following products and more are available:

Parts

Duct Cover Kit

Replacement Lights

15" Cabinet Filler Panel

Cleaning Supplies

CitruShine™ Stainless Steel Wipes

CERAMA BRYTE® Stainless Steel Appliance Cleaner

Bar Keepers Friend Soft Cleanser™

Consumer Support

Café Website

Have a question or need assistance with your appliance? Try the Café website 24 hours a day, any day of the year! You can also shop for more great Café products and take advantage of all our on-line support services designed for your convenience. In the US: cafeappliances.com

Register Your Appliance

Register your new appliance on-line at your convenience! Timely product registration will allow for enhanced communication and prompt service under the terms of your warranty, should the need arise. You may also mail in the pre-printed registration card included in the packing material. In the US: cafeappliances.com/register

Schedule Service

Expert Café repair service is only one step away from your door. Get on-line and schedule your service at your convenience any day of the year. In the US: cafeappliances.com/service

Extended Warranties

Purchase a Café extended warranty and learn about special discounts that are available while your warranty is still in effect. You can purchase it on-line anytime. Café Service will still be there after your warranty expires. In the US: cafeappliances.com/extended-warranty

Remote Connectivity

For assistance with wireless network connectivity (for models with remote enable), visit our website at cafeappliances.com/connect

Parts and Accessories

Individuals qualified to service their own appliances can have parts or accessories sent directly to their homes (VISA, MasterCard and Discover cards are accepted). Order on-line today 24 hours every day. In the US: cafeappliances.com/parts

Instructions contained in this manual cover procedures to be performed by any user. Other servicing generally should be referred to qualified service personnel. Caution must be exercised, since improper servicing may cause unsafe operation.

Contact Us

If you are not satisfied with the service you receive from Café, contact us on our website with all the details including your phone number, or write to:

In the US: General Manager, Customer Relations | Café Appliances, Appliance Park | Louisville, KY 40225
cafeappliances.com/contact



DISTINCT BY DESIGN™

Manual del Propietario y Instalación

Campanas para Cocina con Ventilación

Modelos: CVW9301 y CVW9361

Contenido

Información De Seguridad	3	Instrucciones de instalación	8
Uso de la Campana		Consejos para la Solución de Problemas	20
Controles	5	Garantía Limitada	22
Cuidado y Limpieza		Accesorios	23
Filtros	6	Soporte para el Consumidor	24
Superficies	6		
Luces	7		

Escriba los números de modelo y de serie aquí:

Nº de Modelo _____

Nº de Serie _____

Los puede encontrar en una etiqueta en la pared interna de la campana.

GRACIAS POR HACER QUE CAFÉ SEA PARTE DE SU HOGAR.

Sentimos orgullo por el nivel de arte, innovación y diseño de cada uno de los electrodomésticos de Café, y creemos que usted también. Entre otras cosas, el registro de su electrodoméstico asegura que podamos entregarle información importante del producto y detalles de la garantía cuando los necesite.

Registre su electrodoméstico Café ahora a través de Internet. Sitios Web útiles están disponibles en la sección de Soporte para el Consumidor de este Manual del Propietario. También puede enviar una carta en la tarjeta de inscripción preimpresa que se incluye con el material embalado.

C A F É

DISTINCT BY DESIGN™

INFORMACIÓN IMPORTANTE DE SEGURIDAD

LEA TODAS LAS INSTRUCCIONES ANTES DE USAR

⚠ADVERTENCIA PARA REDUCIR EL RIESGO DE INCENDIO, DESCARGA ELÉCTRICA O LESIONES A PERSONAS, CUMPLA CON LOS SIGUIENTES PUNTOS:

- A. Utilice esta unidad sólo de la manera concebida por el fabricante. Si tiene alguna pregunta, comuníquese con el fabricante.
- B. Antes de realizar reparaciones o limpiar la unidad, desconecte la energía del panel de servicio y bloquee los medios de desconexión para evitar el accionamiento de la energía de manera accidental. Cuando los medios de desconexión de servicio no pueden bloquearse, coloque sobre el panel de servicio un dispositivo de advertencia bien visible, como una etiqueta.
- C. No utilice esta unidad con ningún dispositivo de control de velocidad de estado sólido.
- D. Esta unidad debe estar conectada a tierra.

⚠PRECAUCIÓN SÓLO PARA USO DE VENTILACIÓN GENERAL. NO LO UTILICE PARA ELIMINAR MATERIALES Y VAPORES PELIGROSOS O EXPLOSIVOS.

⚠PRECAUCIÓN A fin de reducir riesgos de incendios y para que el aire salga de forma apropiada, asegúrese de que el aire sea conducido hacia fuera. No ventile el aire de la salida hacia espacios dentro de paredes o cielorrasos o áticos, espacios muy bajos o garajes.

⚠ADVERTENCIA PARA REDUCIR EL RIESGO DE LESIONES A PERSONAS EN CASO DE UN INCENDIO DE GRASA SOBRE UNA ESTUFA, CUMPLA CON LOS SIGUIENTES PUNTOS*:

- A. APAGUE LAS LLAMAS con una tapa que ajuste bien, una plancha para galletas o una bandeja de metal, y luego apague el quemador. TENGA MUCHO CUIDADO A FIN DE EVITAR QUEMADURAS. Si las llamas no se apagan de inmediato, SALGA DE LA VIVIENDA Y LLAME AL DEPARTAMENTO DE BOMBEROS.
- B. NUNCA LEVANTE UNA SARTÉN EN LLAMAS— Usted puede quemarse.
- C. NO UTILICE AGUA, incluyendo repasadores o toallas húmedos—se provocará una violenta explosión de vapor.
- D. Utilice un extintor SÓLO si:
 - 1. Usted sabe que cuenta con un extintor Clase ABC y ya sabe cómo utilizarlo.
 - 2. El incendio es pequeño y se contuvo en el área donde comenzó.
 - 3. Se está llamando al departamento de bomberos.
 - 4. Usted puede combatir el incendio con su espalda dirigida hacia una salida.

*Basado en "Kitchen Fire Safety" publicado por NFPA.

⚠ADVERTENCIA A FIN DE REDUCIR EL RIESGO DE INCENDIO DE GRASA SOBRE LA SUPERFICIE DE UNA COCINA:

- A. Nunca descuide las unidades cuando se encuentren a altas temperaturas. Los hervores excesivos causan vapores y derrames de grasa que se pueden encender. Caliente los aceites de forma lenta en las posiciones baja o media.
- B. Siempre ENCIENDA la campana al cocinar con fuego alto o al flambear comidas (tales como: Crepes Suzette, Cerezas Jubileo, Filetes Flambeados con Granos de Pimienta).
- C. Limpie las ventilaciones de forma frecuente. No se debe permitir la acumulación de grasa en el ventilador o el filtro.
- D. Use cacerolas de tamaño apropiado. Siempre utilice utensilios adecuados al tamaño del elemento sobre la superficie.

LEA Y GUARDE ESTAS INSTRUCCIONES

INFORMACIÓN IMPORTANTE DE SEGURIDAD LEA TODAS LAS INSTRUCCIONES ANTES DE USAR

⚠ ADVERTENCIA PARA REDUCIR EL RIESGO DE INCENDIO, DESCARGA ELÉCTRICA O LESIONES A PERSONAS, CUMPLA CON LOS SIGUIENTES PUNTOS:

- A. El trabajo de instalación y el cableado eléctrico deben ser realizados por una persona(s) calificada de acuerdo con todos los códigos y estándares aplicables, incluyendo construcciones resistentes al fuego.
- B. Es necesario contar con suficiente cantidad de aire para una combustión y salida de gases adecuadas a través del conducto (chimenea) del equipo de consumo de combustible, a fin de evitar ráfagas de aire. Siga las pautas del fabricante del equipo de calefacción y los estándares de seguridad, tales como aquellos publicados por la Asociación Nacional de Protección contra Incendios (National Fire Protection Association, NFPA), la Sociedad Estadounidense para la Calefacción (American Society for Heating), los Ingenieros de Refrigeración y Acondicionadores de Aire (Refrigeration and Air Conditioning Engineers, ASHRAE) y las autoridades de los códigos locales. Cuando corresponda, instale un sistema de reposición (reemplazo) de aire de acuerdo con los requisitos del código local de construcción. Para acceder a soluciones de aire disponibles, visite cafeappliances.com.
- C. Al cortar o perforar una pared o un cielorraso, no dañe el cableado eléctrico y de otros servicios ocultos.
- D. Los ventiladores con conducto siempre deben contar con ventilación hacia el exterior.
- E. Desconecte el disyuntor de habitaciones adyacentes mientras esté trabajando.

⚠ ADVERTENCIA A FIN DE REDUCIR EL RIESGO DE INCENDIOS, USE SÓLO CONDUCTOS DE METAL.

No intente reparar o reemplazar ninguna parte de la campana, a menos que esto se recomiende específicamente en este manual. Cualquier otra reparación deberá ser realizada por un técnico calificado.

Cómo Retirar la Película Protectora de Envío y la Cinta de Embalaje

Con cuidado tome un extremo de la película protectora de envío con los dedos y lentamente retire la misma de la superficie del electrodoméstico. No utilice ningún producto filoso para retirar la película. Retire toda la película antes de usar el electrodoméstico por primera vez.

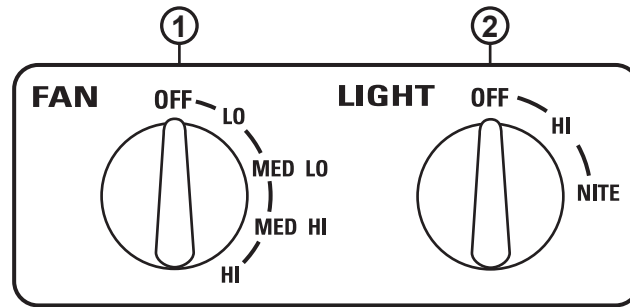
Para asegurar que no haya daños sobre el acabado del producto, la forma más segura de retirar el adhesivo de la cinta de embalaje en electrodomésticos nuevos es aplicando un detergente líquido hogareño para lavar platos. Aplique con una tela suave y deje que se seque.

NOTA: El adhesivo deberá ser eliminado de todas las partes. No se puede retirar si se hornea con éste dentro.

LEA Y GUARDE ESTAS INSTRUCCIONES

Controles

Es posible que las funciones y apariencias varíen con relación a su modelo a lo largo del manual.



- 1. Control del VENTILADOR:** Gire el control de velocidad de la función **FAN (Ventilador)** a **LO (Bajo)**, **MED HI (Medio Alto)** o **HI (Alto)**, según sea necesario. El uso continuo del sistema de ventilación mientras cocina ayuda a mantener la cocina confortable y menos húmeda. También reduce los olores de la cocción y la suciedad creada por la humedad que demanda una limpieza frecuente.
NOTA: Cuando el ventilador esté funcionando en la configuración LO (Bajo), el ambiente estará muy tranquilo. Siempre asegúrese de que el ventilador esté en OFF (Apagado) cuando termine de usar la cocina.

- 2. Control de la LUZ:** Gire el control de la función **LIGHT (Luz)** a HI (Alto) para contar con luz brillante mientras cocina. Gire a **NITE (Noche)** para usarla como luz nocturna.

Filtros

Asegúrese de que la energía eléctrica esté apagada y que todas las superficies estén frías antes de limpiar o arreglar cualquier pieza de la campana de ventilación.

Filtros de Metal para Grasa Reutilizables

La campana cuenta con 2 filtros de metal para grasa reutilizables.

Los filtros de metal atrapan la grasa liberada por las comidas en la cocina. También ayudan a evitar que las llamas de las comidas en la superficie de cocción dañen el interior de la campana.

Por esta razón, los filtros **SIEMPRE** deben estar en el lugar correcto cuando se use la campana. Los filtros de grasa deben ser limpiados una vez por mes, o cuando sea necesario.

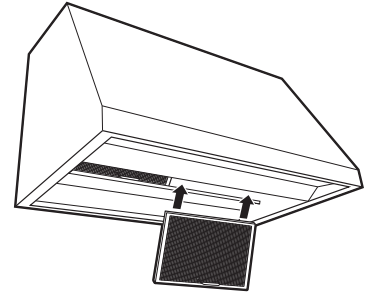
Para limpiar los filtros de grasa, moje los mismos y luego agítelos en agua caliente y detergente. No use amoníaco ni productos de amoníaco, ya que oscurecerán el metal. No use limpiadores abrasivos ni limpiadores para horno. Se podrán cepillar suavemente para retirar la suciedad incrustada. Enjuague, sacuda y deje secar antes de realizar el reemplazo.

Para quitar:

Tome la manija del filtro y empuje la misma hacia arriba, adelante y afuera.

Para volver a colocar:

1. Sostenga el filtro desde su parte inferior con la manija.
2. Coloque el extremo superior del filtro contra la parte frontal interna de la campana.
3. Deslice la misma hacia arriba hasta que se detenga y empuje el extremo inferior hacia atrás hasta que se apoye de manera firme en su posición.



Superficies

Superficies de acero inoxidable (en algunos modelos)

No utilice almohadillas de acero porque rayan la superficie.

Para limpiar la superficie de acero inoxidable, utilice agua tibia jabonosa o un limpiador o lustrador de acero inoxidable. Siempre limpie la superficie en dirección de la veta. Siga las instrucciones del producto para limpiar la superficie de acero inoxidable. Los limpiadores con ácido oxálico tales como **Bar Keepers Friend Soft Cleanser™**

eliminarán el óxido sobre la superficie, deslustres y pequeñas manchas. Para recibir un cupón de \$2.00 para una muestra de **Bar Keepers Friend Soft Cleanser™** ingrese al siguiente link o escanee el Código QR.

www.barkeepersfriend.com/ge



Use sólo un limpiador líquido libre de material abrasivo y frote en la dirección de las líneas del cepillo con una esponja suave y húmeda.

Para consultar sobre la compra de limpiadores o lustradores de aparatos de acero inoxidable, o para encontrar la ubicación del distribuidor más cercano, visite cafeappliances.com/parts.

Superficies Pintadas (en algunos modelos)

No use virutas de acero u otros limpiadores abrasivos; estos rayarán la superficie.

De forma frecuente, limpie las superficies sucias de grasa. Para limpiar la superficie de la campana, use una tela caliente y húmeda con un detergente suave adecuado para superficies pintadas. Se puede agregar aproximadamente una chuchara soper de amoníaco al agua. Use una tela limpia, caliente y húmeda para eliminar el jabón. Seque con una tela limpia y seca.

NOTA: Al realizar la limpieza, tenga cuidado de no tener contacto con los filtros y otras superficies.

⚠ PRECAUCIÓN

Al limpiar las superficies de la campana, asegúrese de no tocar la lámpara con las manos húmedas o con una tela. Una lámpara tibia o caliente se puede romper si es tocada con una superficie húmeda. Siempre espere a que la lámpara se enfríe completamente antes de hacer la limpieza alrededor de la misma.

Luces

Asegúrese de que el disyuntor esté apagado y que todas las superficies estén frías antes de limpiar o realizar el servicio técnico de cualquier parte de la campana de ventilación.

NOTA: La tapa de vidrio deberá ser retirada sólo cuando esté fría. Si usa guantes de látex tendrá un mejor agarre.

⚠ PRECAUCIÓN

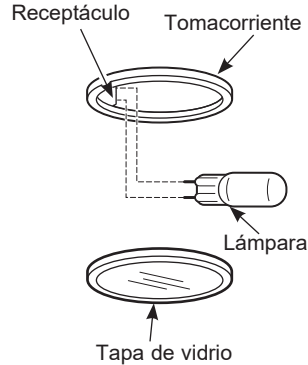
Antes de reemplazar la lámpara de luz, desconecte la conexión eléctrica de la campana del fusible principal o del panel del disyuntor.

Asegúrese de permitir que la tapa de la luz y la lámpara se enfríen completamente.

Para su seguridad, no toque una lámpara caliente directamente con las manos ni con una tela húmeda.

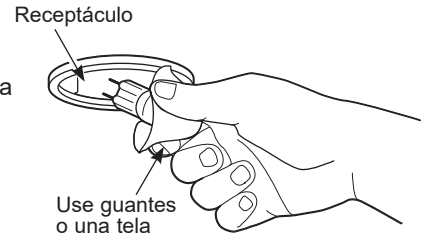
Para su retiro:

1. Gire la tapa de vidrio en contra de las agujas del reloj, hasta que la misma deje el tomacorriente.
2. Utilizando guantes o una tela seca, retire la lámpara empujando directamente hacia afuera.



Para su reemplazo:

1. Use una lámpara halógena nueva de 12 voltios, 20 watts (máximo) para una base G-4.
2. Utilizando guantes o una tela seca, retire la lámpara nueva de su envoltorio. **NOTA:** No toque la lámpara halógena nueva directamente con los dedos. Tocar la lámpara directamente con los dedos reducirá de forma significativa la vida útil de la misma.
3. Empuje la válvula directamente adentro del receptáculo.
4. Coloque la tapa de vidrio sobre el tomacorriente y gire en dirección de las agujas del reloj hasta que quede asegurada. Para una mejor iluminación, limpie la tapa de vidrio con frecuencia usando una tela húmeda. Esto se deberá hacer cuando la campana esté completamente fría.
5. Vuelva a conectar el cable de electricidad de la campana.



Instrucciones de instalación

Campanas para Cocinas

Ante cualquier duda, visite nuestro sitio Web en: cafeappliances.com

ANTES DE COMENZAR

Lea estas instrucciones por completo y con detenimiento.

- **IMPORTANTE** — Guarde estas instrucciones para el uso de inspectores locales.
- **IMPORTANTE** — Cumpla con todos los códigos y ordenanzas vigentes.
- **Nota al instalador** – Asegúrese de dejar estas instrucciones con el Consumidor.
- **Nota al consumidor** – Conserve estas instrucciones para referencia futura.
- **Nivel de capacidad** – La instalación de esta campana de ventilación requiere capacidades mecánicas y eléctricas básicas.
- **Tiempo de compleción** – Aproximadamente entre 1 y 3 horas
- El instalador tiene la responsabilidad de efectuar una instalación adecuada.
- La Garantía no cubre las fallas del producto debido a una instalación incorrecta.

⚠PRECAUCIÓN

Debido al peso y tamaño de estas campanas de ventilación, y a fin de reducir el riesgo de lesiones personales o daños sobre el producto - **SE DEBERÁ CONTAR CON DOS PERSONAS PARA UNA INSTALACIÓN ADECUADA.**

PARA SU SEGURIDAD

⚠ADVERTENCIA

Antes de comenzar la instalación, desconecte la energía del panel de servicio y bloquee los medios de desconexión para evitar el accionamiento de la energía de manera accidental. Cuando los medios de desconexión de servicio no pueden bloquearse, coloque sobre el panel de servicio un dispositivo de advertencia bien visible, como una etiqueta.

⚠ADVERTENCIA

PARA REDUCIR EL RIESGO DE INCENDIO, DESCARGA ELÉCTRICA O LESIONES A PERSONAS, CUMPLA CON LOS SIGUIENTES PUNTOS:

- A. El trabajo de instalación y el cableado eléctrico deben ser realizados por una persona(s) calificada de acuerdo con todos los códigos y estándares aplicables, incluyendo construcciones resistentes al fuego.
- B. Es necesario contar con suficiente cantidad de aire para una combustión y salida de gases adecuadas a través del conducto (chimenea) del equipo de consumo de combustible, a fin de evitar ráfagas de aire. Siga las pautas del fabricante del equipo de calefacción y los estándares de seguridad, tales como aquellos publicados por la Asociación Nacional de Protección contra Incendios (National Fire Protection Association, NFPA), la Sociedad Estadounidense para la Calefacción (American Society for Heating), los Ingenieros de Refrigeración y Acondicionadores de Aire (Refrigeration and Air Conditioning Engineers, ASHRAE) y las autoridades de los códigos locales.
- C. Al cortar o perforar una pared o un cielorraso, no dañe el cableado eléctrico y de otros servicios ocultos.
- D. Los ventiladores con conducto siempre deben contar con ventilación hacia el exterior.
- E. Desconecte el disyuntor de habitaciones adyacentes mientras esté trabajando.

⚠ADVERTENCIA

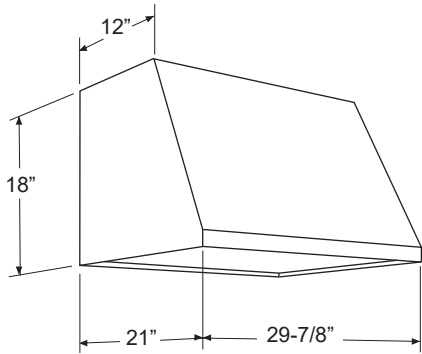
A FIN DE REDUCIR EL RIESGO DE INCENDIOS, USE SÓLO CONDUCTOS DE METAL.

⚠ADVERTENCIA

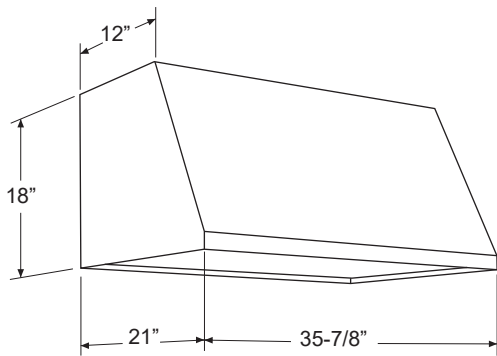
Desconecte toda la corriente eléctrica del disyuntor principal o de la caja de fusibles antes de la instalación.

Preparación para la instalación

DIMENSIONES DEL PRODUCTO



Modelos de 30"
Requiere una abertura de 30".



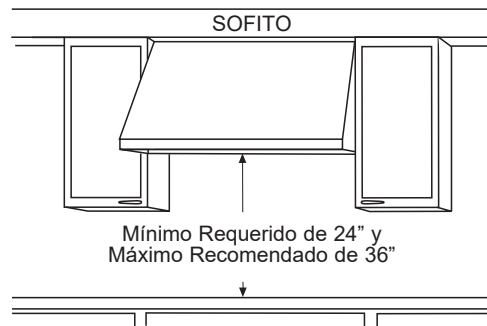
Modelos de 36"
Requiere una abertura de 36".

ESPACIOS PARA LA INSTALACIÓN

Estas campanas de ventilación están diseñadas para ser instaladas en una pared. Pueden ser instaladas debajo de un soffito o un gabinete.

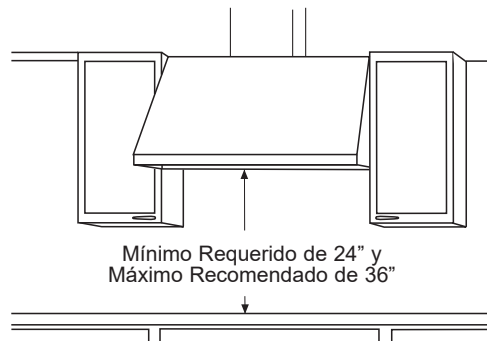
- Las campanas fueron diseñadas para adherirse a gabinetes de 12" de profundidad. Para instalaciones en gabinetes de 15" de profundidad, un accesorio para el panel de relleno está disponible: ordene el modelo **JXS50SS** para campanas de 30" de ancho o el modelo **JXS56SS** para campanas de 36" de ancho.
- Instale estas campanas entre el mínimo requerido de 24" y el máximo recomendado de 36" sobre la superficie de cocción.

INSTALACIÓN DEL SOFITO



En esta instalación, el conducto que va desde la parte superior de la campana quedará escondido por el soffito o los gabinetes superiores.

INSTALACIÓN DE MONTAJE DE LA PARED



Para esta instalación, una tapa decorativa para conducto está disponible para esconder el conducto que va desde la parte superior de la campana. El uso de la tapa del conducto requiere una consideración especial en relación a la altura de la instalación sobre la mesada. Para más detalles, consulte la página 12.

Preparación para la instalación

ACCESORIOS OPCIONALES

Tapa del Conducto

Una tapa decorativa del conducto está disponible para alturas de cielorrasos de 8 a 10 pies. La tapa del conducto se expandirá desde una altura mínima de 12" o desde una altura máxima de 24" a 36".

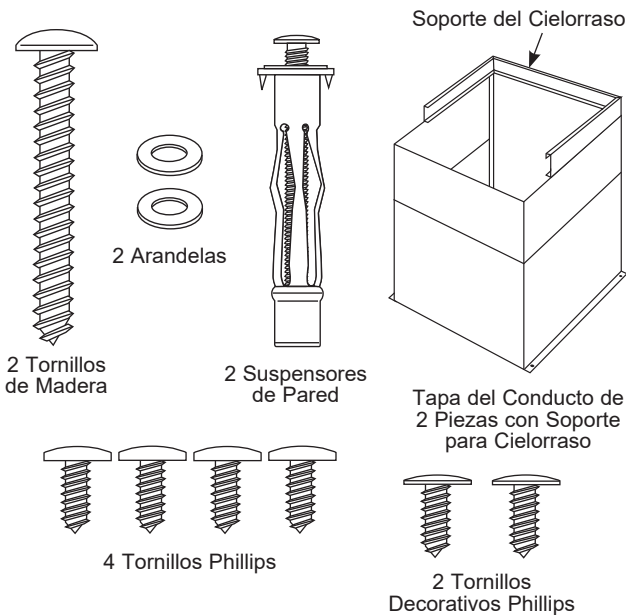
- La tapa del conducto esconde el conducto que va desde la parte superior de la campana hasta el cielorraso.
- El accesorio de la tapa del conducto está apto tanto para modelos de 30" como de 36" de ancho. Ordene el accesorio de la tapa del conducto junto con la campana de ventilación. Se deberá disponer de todos los accesorios en el momento de la instalación de la campana.

Ordenar:

UXCHSS para Modelos Inoxidables

UXCHDS para Modelos Negro Mate

UXCH4NWM para Modelos Blanco Mate



PLANIFICACIÓN PREVIA

Planificación para la Instalación de Conducto

- La campana podrá ser ventilada de forma vertical a través de los gabinetes superiores, el soffito o el cielorraso. Una pieza de transición del conducto es suministrada para el escape vertical. Use codos suministrados localmente para ventilar de forma horizontal a través de la pared trasera.
- Use tuberías metálicas únicamente.
- Determine la ubicación exacta de la campana de ventilación.
- Planifique el recorrido de la salida de ventilación hacia el exterior. A fin de maximizar el rendimiento de la ventilación del sistema de ventilación:
 1. Minimice la longitud del conducto y el número de transiciones y codos.
 2. Mantenga un tamaño de conducto constante.
 3. Selle todas las juntas con cinta para conductos a fin de evitar pérdidas.
 4. No utilice conductos flexibles de ningún tipo.
- Use el recorrido más corto y directo que sea posible para el conducto.
- Instale una tapa de pared o una tapa de techo en la abertura externa. Ordene la tapa de pared o techo y cualquier pieza de transición necesaria por adelantado.
- Cuando corresponda, instale un sistema de reposición (reemplazo) de aire de acuerdo con los requisitos del código local de construcción. Para acceder a soluciones de aire disponibles, visite cafeappliances.com.

Marco de Pared para un Soporte Adecuado

- Esta campana de ventilación es pesada. Un soporte estructural adecuado deberá ser provisto. Esta campana deberá ser asegurada a los pernos verticales de la pared. Lea la página 15.
- Recomendamos enfáticamente que la campana de ventilación con la tapa del conducto estén en su posición antes del armado del marco final y el acabado de la pared. Esto también ayudará a ubicar de forma precisa el conducto y el servicio eléctrico.

Preparación para la instalación

TAPAS DECORATIVAS DEL CONDUCTO

Una tapa decorativa del conducto está disponible para el ancho de ambos modelos. La tapa del conducto esconde el conducto que va desde la parte superior de la campana hasta el cielorraso o el soffito. La tapa del conducto se ajustará a las alturas de cielorraso de 8 a 10 pies. Para más detalles, consulte la página 13.

SUMINISTRO DE ENERGÍA

IMPORTANTE – (Tenga a bien leer cuidadosamente)

▲ADVERTENCIA

PARA SEGURIDAD PERSONAL, ESTE APARATO DEBE CONECTARSE A TIERRA DE MANERA ADECUADA.

Quite el fusible o abra el interruptor de circuitos antes de comenzar la instalación.

No utilice un cable de extensión o un enchufe adaptador con este artefacto. Siga los Códigos Eléctricos Nacionales o códigos y ordenanzas locales vigentes.

Suministro eléctrico

Estas campanas de ventilación deben contar con un suministro de 120V, 60Hz, deben estar conectadas a un circuito derivado individual con una adecuada conexión a tierra y deben contar con la protección de un interruptor de circuitos o un fusible con retraso de 15 o 20 amperios.

- El cableado debe ser de 2 hilos con conexión a tierra.
- Si el suministro eléctrico no cumple con los requisitos anteriores, llame a un electricista con licencia antes de continuar.
- Dirija el cableado doméstico lo más cerca posible a la ubicación de la instalación, en el cielorraso o pared trasera. Ver página 14 para más detalles.
- Conecte el cableado al cableado doméstico en cumplimiento con los códigos locales.

Instrucciones de conexión a tierra

El conductor a tierra debe conectarse a un metal con conexión a tierra, un sistema de cableado permanente o una terminal o conductor de conexión a tierra del equipamiento en la campana.

▲ADVERTENCIA

Una conexión inadecuada del conductor de conexión a tierra del equipamiento puede provocar un riesgo de descarga eléctrica. Consulte a un electricista calificado o representante de servicio técnico si tiene dudas sobre la correcta conexión a tierra del artefacto.

Esta Campana Deberá Contar con un Conducto Redondeado de 7". Puede Hacer una Transición a un Conducto de 3 1/4" a 12".

NO use conductos flexibles de plástico.

NOTA: Cualquier sistema de ventilación hogareña, tal como una campana de ventilación, podrá interrumpir el flujo adecuado de aire de combustión y el escape requeridos por las chimeneas, hornos a gas, calentador de agua a gas y otros sistemas con ventilación natural. A fin de minimizar la posibilidad de interrupciones de dichos sistemas de ventilación natural, siga las pautas del fabricante de equipamiento de calefacción y sus estándares de seguridad tales como aquellos publicados por NFPA y ASHRAE. Cuando corresponda, instale un sistema de reposición (reemplazo) de aire de acuerdo con los requisitos del código local de construcción. Para acceder a soluciones relacionadas con la reposición de aire, visite cafeappliances.com.

El uso de un conducto con un diámetro inferior reducirá el rendimiento.

Preparación para la instalación

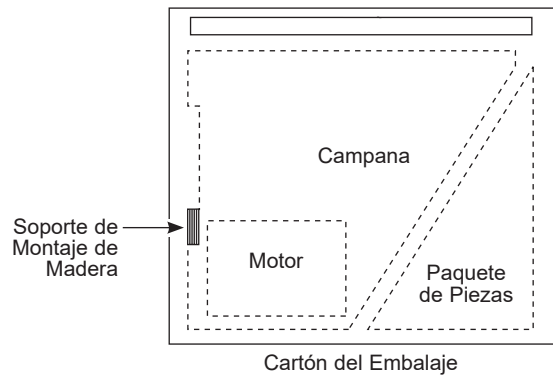
HERRAMIENTAS Y MATERIALES REQUERIDOS (NO SUMINISTRADOS)



Materiales Adicionales:

- 2 cables a tierra de 120V, 60Hz, 15 o 20 Amperes. Circuito de empalmes correctamente conectado a tierra.
- Amortiguador de refuerzo para caja de empalmes.
- Conducto de metal redondeado de 7" o conducto rectangular de 3 1/4" x 12" de longitud adecuado para la instalación.

QUITE EL ENVOLTORIO

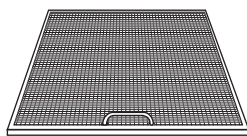


- Retire la caja pequeña donde se encuentra el motor.
- Levante la campana fuera de la caja.
- Retire los tornillos de embalaje que sostienen la pieza de montaje de madera del lado trasero de la campana. Deje a un costado la pieza de montaje de Madera y los tornillos para su instalación posterior. No los descarte.
- Retire la inserción de cartón con forma en "V".
- Retire el paquete de piezas de la inserción de cartón con forma en "V".
- Retire la tapa de la caja de empalmes y el separador.
- Instale el amortiguador de refuerzo en la parte trasera o superior de la campana.
- Retire toda la cinta y el material de embalaje de la campana, del conducto de transición y del motor.

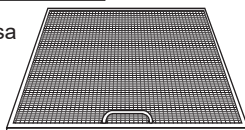
Preparación para la instalación

PIEZAS PROVISTAS

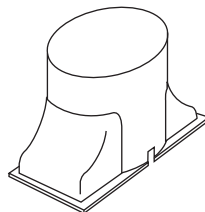
Ubique la caja de accesorios incluida con la campana y otros componentes.



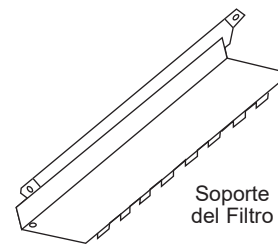
2 Filtros de Grasa de Aluminio



Tornillos, suspensores de pared, arandelas



Transición del Conducto con Regulador



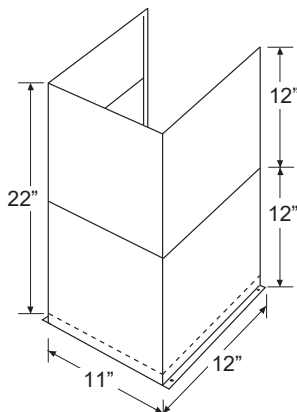
Soporte del Filtro

REQUISITOS DE LA TAPA DEL CONDUCTO

Recomendamos que la campana de ventilación con la tapa decorativa del conducto (si se usa) estén en su posición antes del armado del marco final y el acabado de la pared. Esto ayudará a ubicar de forma precisa los pernos, el conducto y el servicio eléctrico. Lea estas instrucciones a fin de determinar si el accesorio de la tapa del conducto puede ser usado para su instalación específica.

Accesorio de la Tapa del Conducto:

- Use la tapa decorativa del conducto para esconder el conducto que va desde la parte superior de la campana hasta el cielorraso.
- El accesorio de la tapa del conducto cuenta con 2 piezas. La pieza externa es de 12" de alto, y la pieza interna es de 22". Ambas anidadas poseen un mínimo de 24" y se expanden hasta una altura total máxima de 34".
- La pieza externa puede ser usada sola para completar una altura de 12".
- Para alturas superiores a 12", el soporte del cielorraso debe ser instalado para asegurar la tapa en la parte superior.



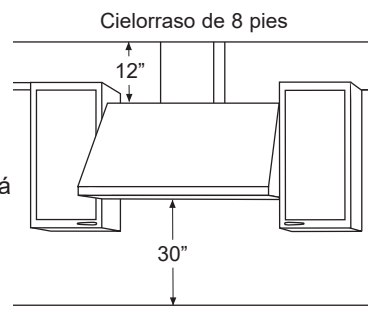
A fin de evitar brechas antiestéticas, planifique la altura de instalación de la campana para uso con la tapa del conducto.

- La tapa se ajustará a una altura mínima de 12" desde la parte superior de la campana hasta el cielorraso, o a un mínimo de 24" y expandiéndose hasta 34" desde la parte superior de la campana hasta el cielorraso.

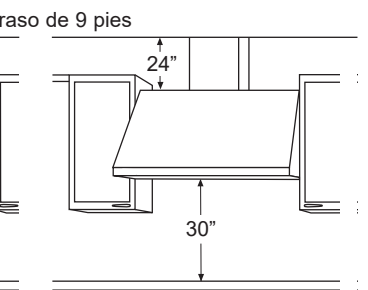
LA TAPA DEL CONDUCTO NO PUEDE SER USADA CUANDO LA DISTANCIA QUE ESTÁ SOBRE LA PARTE SUPERIOR DE LA CAMPANA SEA DE ENTRE 12" Y 24".

Revise los siguientes ejemplos y asegúrese de realizar una instalación libre de problemas, usando el accesorio de la tapa del conducto.

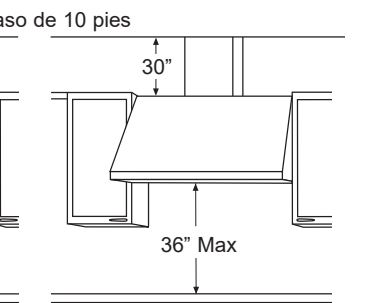
Cielorraso de 8 pies: la campana debe ser instalada a 30" sobre la superficie de cocción (o 66" sobre el piso). La tapa del conducto no se ajustará si la campana es instalada a una altura inferior o superior. Use la sección externa de 12", y descarte la sección interna.



Cielorraso de 9 pies: Instale la campana a un mínimo de 24" y hasta un máximo de 30" sobre la superficie de cocción. La tapa del conducto se expandirá hasta alcanzar la altura del cielorraso.



Cielorraso de 10 pies: Instale la campana a un mínimo de 32" y hasta un máximo de 36" sobre la superficie de cocción. La tapa del conducto se expandirá hasta un máximo de 34" sobre la parte superior de la campana hasta llegar al cielorraso.



Cielorraso de 10 pies: Instale la campana a un mínimo de 32" y hasta un máximo de 36" sobre la superficie de cocción. La tapa del conducto se expandirá hasta un máximo de 34" sobre la parte superior de la campana hasta llegar al cielorraso.

Preparación para la instalación

DETERMINE LAS UBICACIONES DE LA CAMPANA, EL CONDUCTO Y EL CABLEADO

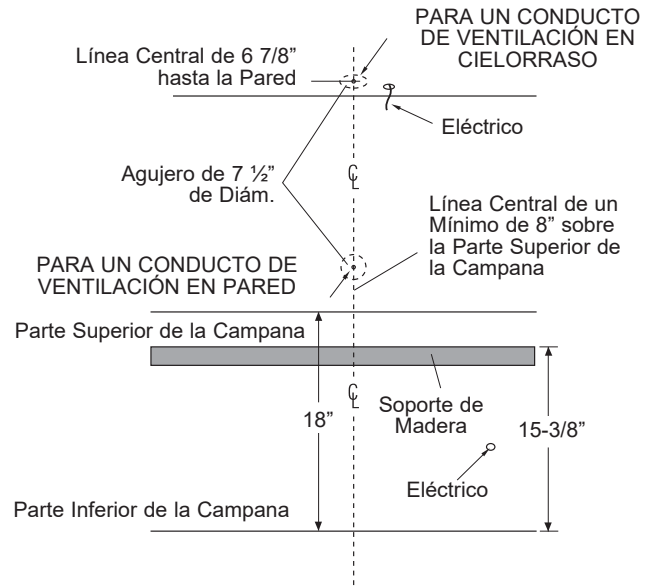
- Guarde la pieza de soporte de madera y sus tornillos para su posterior instalación. No los descarte.
- Mida la distancia deseada desde la parte inferior de la campana hasta la superficie de cocción, con un mínimo requerido de 24" y un máximo recomendado de 36". Consulte la página previa si la tapa del conducto del accesorio será usada.
- Use un nivel para dibujar una línea horizontal que indique la parte inferior de la campana.
- Use un nivel para dibujar la ubicación de la línea central de la superficie de cocción.
- Mida 15 3/8" desde la parte superior de la línea horizontal hasta la parte inferior de la campana. Dibuje otra línea horizontal.
- Mida 18" desde la parte superior de la línea hasta la parte inferior de la campana, y dibuje otra línea horizontal para indicar la parte superior de la campana.

Para Conductos Verticales (Derechos Hacia Arriba):

- Si ventilará hacia afuera del cielorraso, extienda la línea central hacia adelante del cielorraso.
 - Mida 6 7/8" desde el panel de yeso para marcar la línea central para un agujero en el conducto con un diámetro de 7 1/2" sobre el cielorraso.
 - Si no hay una pared de yeso presente, agregue un grosor de yeso a la dimensión de 6 7/8".

Ventilación a Través de un Sofito o de un Gabinete Superior:

- Siga el mismo procedimiento para el conducto en cielorrasos a fin de cortar un agujero de 7 1/2" de diámetro a través de la parte superior del gabinete o sofito.
- Consulte el Paso 4, en la página 15, para más detalles sobre cómo cortar una abertura para la transición del conducto.



Para Conductos a Través de la Pared Trasera:

- Mida la transición del conducto suministrado con cualquier longitud recta del conducto usado, además de la altura de un codo de 90°. Dibuje una línea horizontal en la pared que intersepta la línea central.

Ubicación del Cableado en el Hogar:

- La caja de empalmes está ajustada a la parte trasera de la campana sobre el lado derecho. Consulte las ilustraciones para acceder a las ubicaciones de los separadores de la campana.

NOTA: La caja de empalmes puede ser reubicada en la parte superior interna de la campana.

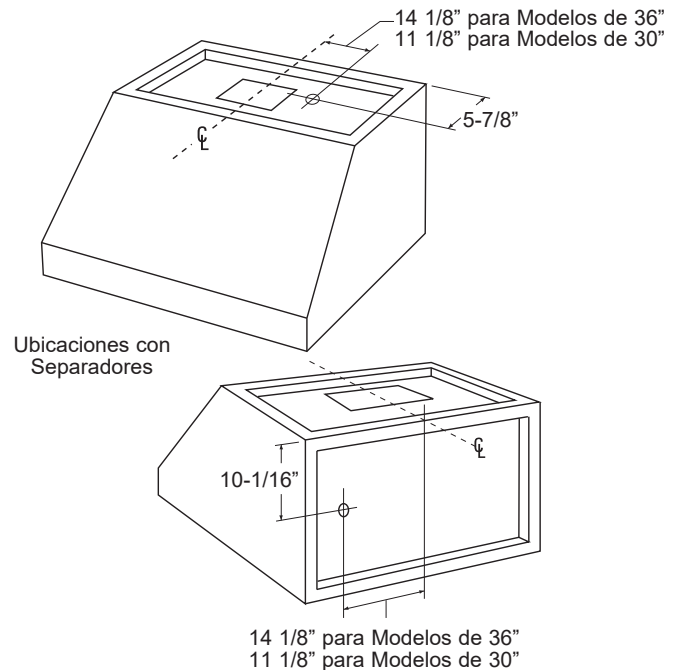
El cableado del hogar puede ingresar a la caja de empalmes desde la parte trasera o desde la parte superior de la campana, sobre el lado derecho.

Para dirigir el cableado del hogar a través del cielorraso o del sofito:

- Corte un agujero de aproximadamente 1" de diámetro, 5 7/8" adelante del cielorraso, 11 1/8" hacia la derecha de la línea central para modelos de 30" o 14 1/8" hacia la derecha de la línea central para modelos de 36".

Para dirigir cableados en el hogar a través de la pared:

- Corte un agujero de aproximadamente 1" de diámetro, 11 1/16" hacia abajo desde la parte superior de la campana, 11 1/8" hacia la derecha de la línea central para modelos de 30" o 14 1/8" hacia la derecha de la línea central para modelos de 36".
- Retire la parte superior o el separador trasero, dependiendo de su instalación.
- Instale el amortiguador de refuerzo en la parte trasera o superior de la campana.

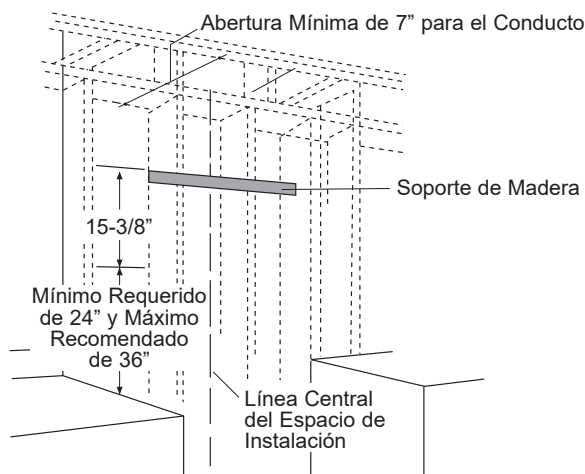


Preparación para la instalación

1 INSTALACIÓN DEL SOPORTE DE LA CAMPANA

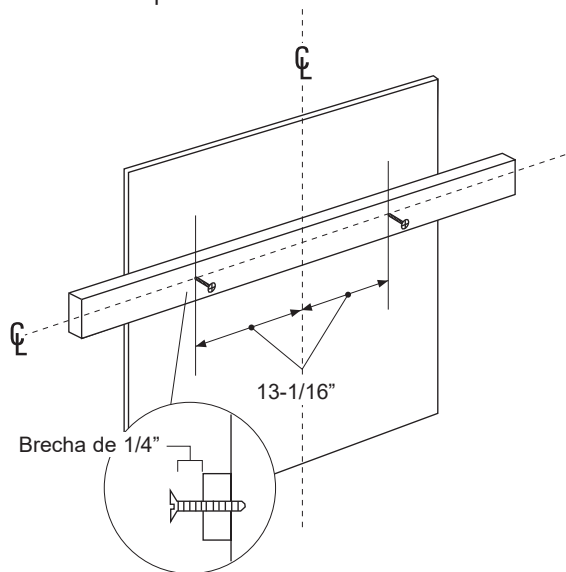
IMPORTANTE: El marco debe poder soportar 100 libras.

- Ubique por lo menos 2 pernos verticales en la ubicación de montaje de madera, dando golpecitos sobre el yeso con un martillo o usando un buscador de pernos.
- Centre el soporte horizontal de madera suministrado, de izquierda a derecha, y debajo de la línea marcada.



- Perfore agujeros piloto de 1/8" a través del soporte, del panel de yeso y sobre los pernos. Asegure el soporte a 2 o más pernos verticales con los tornillos de madera suministrados.

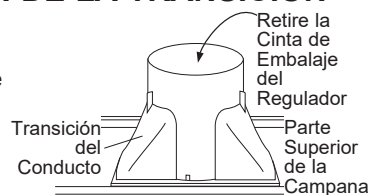
IMPORTANTE: Los tornillos deben penetrar por lo menos 1 1/2" sobre los pernos verticales. Encastre los tornillos en el soporte.



- Instale los tornillos de montaje en el centro del soporte de madera, de 13 1/6" desde la línea central. Los tornillos deben sobresalir 1/4" hacia adelante. Esta brecha de 1/4" brindará espacio para colgar la campana.

2 INSTALACIÓN DE LA TRANSICIÓN

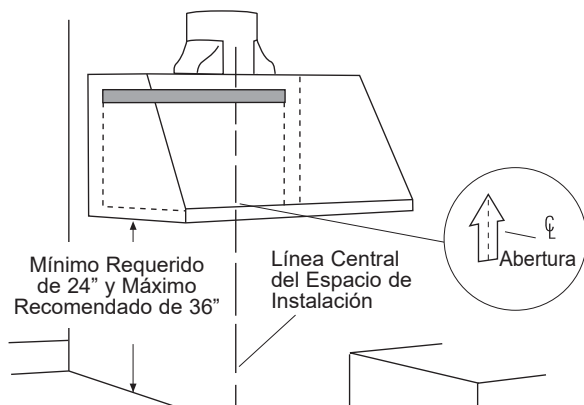
IMPORTANTE: Retire la cinta de embalaje del regulador y controle que esté último se mueva libremente.



- Coloque la pieza de transición sobre el escape de la campana. Asegure la transición a la campana con los 4 tornillos provistos.
- Use la cinta del conducto para sellar la conexión.

3 INSTALACIÓN DE LA CAMPANA EN LA PARED

- Levante la campana y coloque la misma sobre el soporte de madera. Las ranuras de la cerradura superior de la campana deben adherirse a los tornillos de montaje salientes. Deje que la campana se deslice hacia abajo hasta su posición.
- Empuje hacia usted el cableado del hogar a través del separador en la parte trasera o superior de la campana.
- Asegúrese de que la campana esté nivelada y centrada. La abertura con forma de flecha en la parte trasera de la campana permite visualizar la línea central marcada.
- Retire la tapa de la caja de empalmes.



Perfore las Ubicaciones del Agujero de Montaje Inferior

- Perfore los agujeros piloto de 1/8" en los dos agujeros de montaje inferiores. Agrande los agujeros si no entran en los pernos hasta 3/8". Golpee los anclajes de los suspensores de pared para introducirlos en los agujeros inferiores. Instale los tornillos de forma manual en los suspensores, a fin de que los anclajes se expandan contra la pared. Retire los tornillos.
- Usando dos arandelas grandes y planas (suministradas), instale los tornillos de madera o los tornillos del suspensor de pared, sin apretar, en los agujeros de montaje inferiores. No los ajuste.
- Controle el nivel de la campana. Ajuste los tornillos superiores. Ajuste los tornillos de montaje inferiores.
- Para mayor seguridad, coloque los tornillos a través de los agujeros de tornillos originales del soporte de madera en la parte trasera de la campana.

Instrucciones de instalación

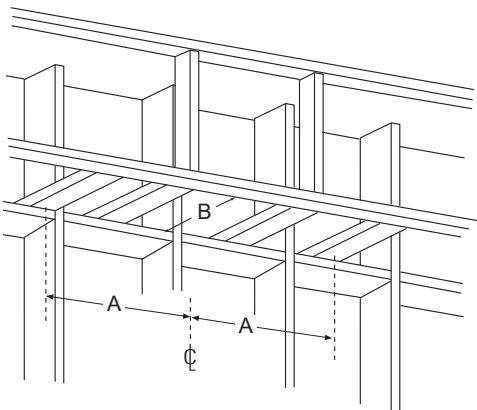
4 (Método Alternativo de Montaje) **INSTALE LA CAMPANA EN EL SOFITO O DEBAJO DE LOS GABINETES**

SALTEE ESTE PASO SI USARÁ UN MÉTODO DE MONTAJE EN LA PARED

IMPORTANTE: El marco del sofito debe poder soportar 100 libras.

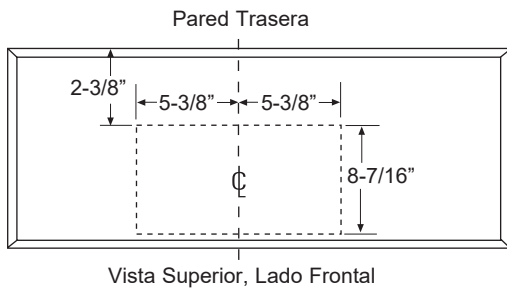
Cuando sea necesario, la campana podrá ser instalada de modo que sea sostenida por el sofito.

- El sofito debe ser construido con pernos de 2 x 4.
- Determine la ubicación de la instalación.
- Continúe por la línea central hacia adelante sobre la parte inferior del gabinete o sofito.



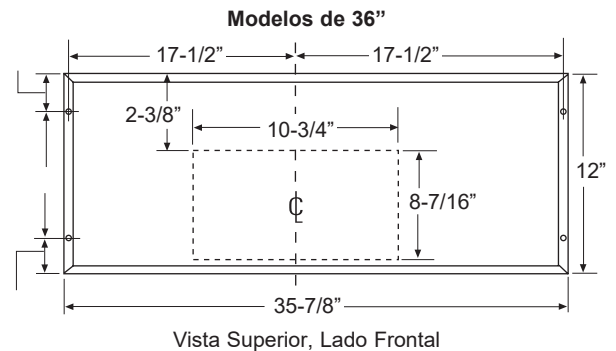
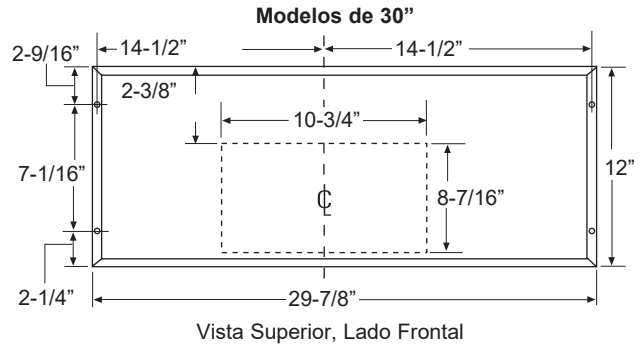
	"A" Línea Central Hasta el Centro del Perno	"B" Abertura para el Conducto
Modelos de 30"	14-1/2"	10 3/4" de Ancho x 8 7/16 de Diám.
Modelos de 36"	17-1/2"	10 3/4" de Ancho x 8 7/16 de Diám.

- Los tornillos de montaje deben ser asegurados a pernos de 2 x 4 (Dim. "A") en ubicación mostradas en el cuadro anterior.
- Deje una abertura mínima (Dim. "B") para ubicar la transición del conducto en el sofito.

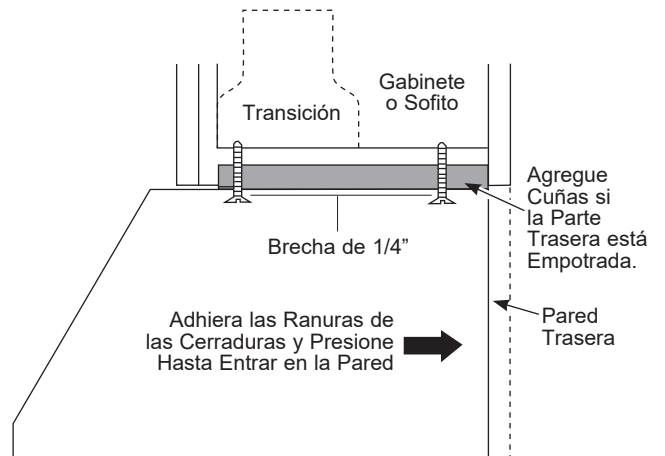


Corte un agujero de 10 3/4" x 8 7/16" a través de la parte inferior del sofito o del gabinete para la transición del conducto, como se muestra.

IMPORTANTE: Para obtener un soporte adicional y para minimizar la vibración durante el funcionamiento, le recomendamos enfáticamente que la campana también esté asegurada a la pared trasera con suspensores de pared.



- Perfore cuatro agujeros piloto de 1/8" en las ubicaciones mostradas.
- Si hará el montaje en la parte inferior de un gabinete con una parte inferior ahuecada, instale cuñas para llenar el espacio.



- Coloque los tornillos de montaje en los pernos hasta que sobresalgan 1/4". Esta brecha de 1/4" brindará espacio para adherir las ranuras de las cerraduras en la parte superior de la campana.
- Levante la campana sobre los tornillos de montaje. Deslice hacia atrás contra la pared trasera.
- Empuje hacia usted el cableado del hogar a través del separador en la parte trasera o superior de la campana.
- Ajuste los tornillos de montaje.

Instrucciones de instalación

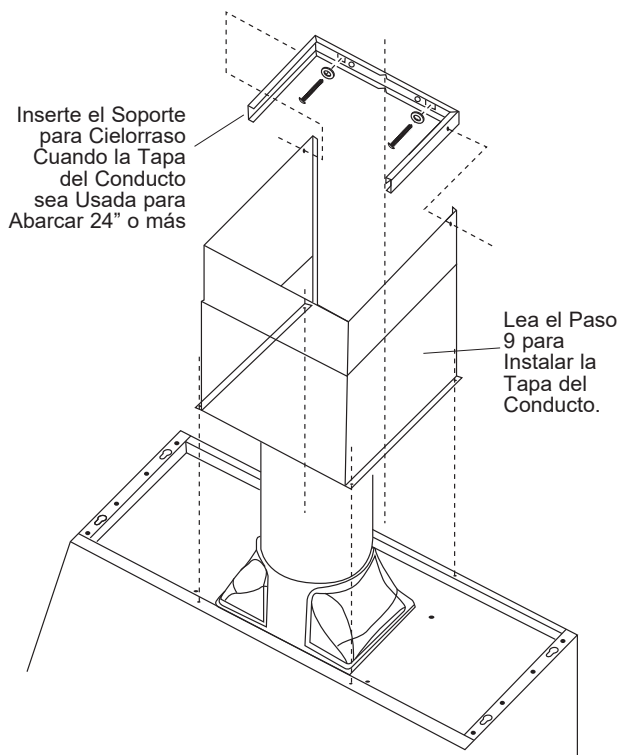
5 INSTALACIÓN DEL SOPORTE DEL CIELORRASO

El soporte del cielorraso debe ser instalado cuando la tapa del conducto sea usada para abarcar 24" o más de altura sobre la campana. El soporte sostendrá la tapa del conducto decorativo en su posición en la parte superior.

NOTA: El soporte del cielorraso no es requerido cuando sólo se use la sección de 12" de la tapa del conducto.

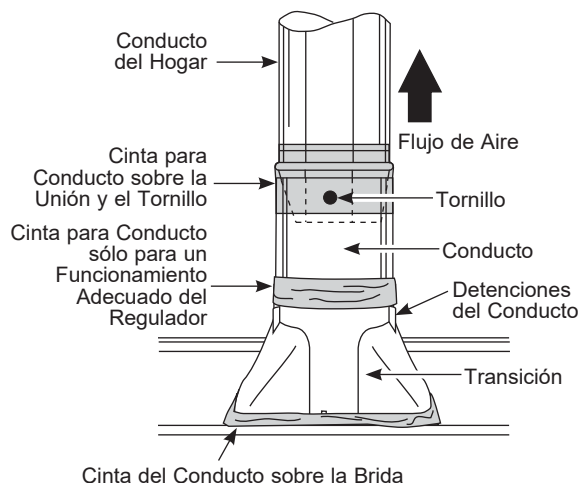
- Instale los 2 tornillos pequeños en los costados del soporte del conducto. Retire los tornillos. Dar golpecitos previos a los agujeros asegurará que la instalación final sea más fácil.
- Haga coincidir la muesca central del soporte con la línea central de la pared y descargue contra el cielorraso.
- Marque las ubicaciones de los agujeros de los 2 tornillos.
- Perfore agujeros piloto de 2/8" en las ubicaciones mostradas de los soportes.
- Si los agujeros piloto no permiten colocar los pernos, agrande los agujeros hasta 3/8" e instale los anclajes de los suspensores de pared.
- Asegure el soporte a la pared trasera con tornillos de madera y arandelas. Use anclajes de pared, de ser necesario.

NOTA: El soporte posee 2 conjuntos de agujeros. Use agujeros más grandes para suspensores de pared o tornillos de Madera con suspensores. Use agujeros más pequeños para tornillos de Madera con arandela.



6 CONECTE EL CONDUCTO

- Presione el conducto hasta el extremo de la transición, hasta que alcance las lengüetas de detención.
- Instale el conducto, haciendo conexiones en la dirección del flujo de aire, como figura en la ilustración.
- Asegure las uniones del conducto con tornillos para chapa metálica.
- Envuelva todas las uniones del conducto con cinta para conductos a fin de generar un sellado hermético.
- Use la cinta del conducto para sellar la conexión de bridas.



⚠ PRECAUCIÓN

No use tornillos para chapa metálica en la transición de la conexión con el conducto. Hacer esto impedirá un funcionamiento adecuado del regulador. Selle la conexión con cinta únicamente.

Instrucciones de instalación

7 INSTALACIÓN DEL MOTOR

- Alinee y adhiera las ranuras del ensamblaje del calentador a los 3 ganchos en la parte trasera de la abertura del escape.
- Rote el motor hacia arriba hasta que se alinee con la ubicación del tornillo de sujeción.
- Asegure el motor al soporte de sujeción en la parte frontal de la abertura, con la arandela y el tornillo provistos.
- Enchufe el conector del motor en el conector de la campana de emparejamiento. Consulte en la ilustración la ubicación del conector de la campana. Toque la campana para ubicarlo y hacer la conexión.



IMPORTANTE: Sostenga el conector de modo que las dos terminales cuadradas de las esquinas estén en la parte superior, a medida que posiciona el conector para enchufarlo.

9 INSTALE TAPAS DE CONDUCTO

Para instalar la tapa del conducto de 12" únicamente:

- Coloque la sección de 12" de la tapa decorativa del conducto en la parte superior de la campana.
- Asegure la tapa sobre la parte superior de la campana con los 4 tornillos provistos.

Para instalar la tapa del conducto de 2 piezas:

- Coloque la tapa del conducto de 2 piezas en la parte superior del conducto.
- Asegure la tapa inferior sobre la parte superior de la campana con los 4 tornillos provistos. Vea la ilustración en la página 16.
- Extienda la sección interna hacia arriba para que se una al cielorraso y el soporte del cielorraso.
- Asegure la tapa del conducto al soporte con los 2 tornillos Phillips pequeños provistos.

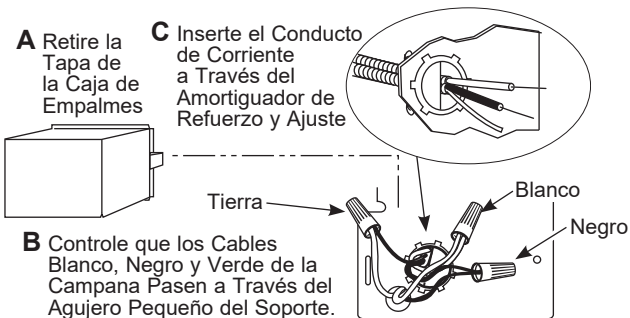
8 CONEXIÓN DE LA PARTE ELÉCTRICA

Verifique que la corriente esté desenchufada de la fuente.

⚠ ADVERTENCIA

Si el cableado de la casa no tiene 2 cables con un cable a tierra, el instalador deberá proveer una conexión a tierra. Cuando el cableado de la casa sea de aluminio, asegúrese de usar un compuesto antioxidante y conectores de aluminio a cobre aprobados por UL.

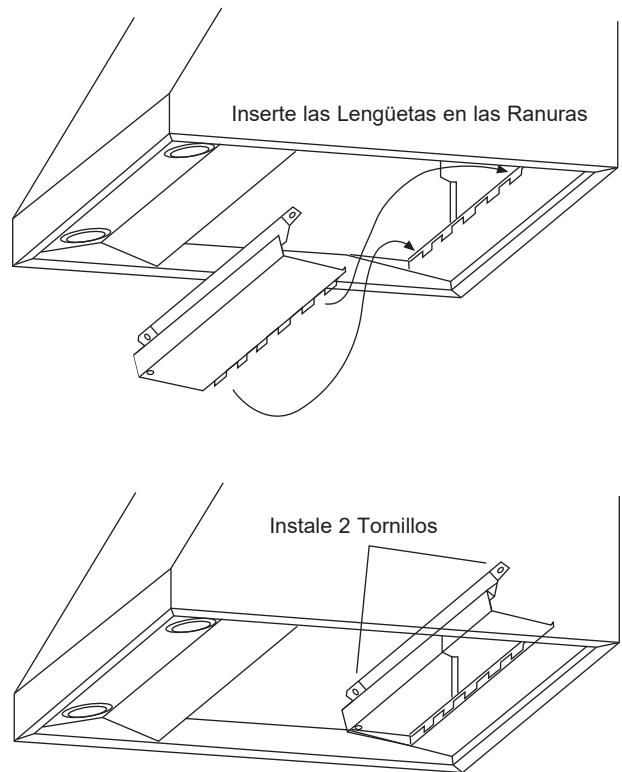
- A** Retire la Tapa de la Caja de Empalmes
- B** Controle que los Cables Blanco, Negro y Verde de la Campana Pasen a Través del Agujero Pequeño del Soporte.
- C** Inserte el Conducto de Corriente a Través del Amortiguador del Refuerzo y Ajuste
- D** Use Tuercas para Cables de la Lista de UL



- Use tuercas para cables para conectar el cable a tierra entrante al verde, el blanco al blanco y el negro al negro.
- Empuje los cables a la caja de empalmes y reemplace la tapa. Asegúrese de que los cables no posean cortes.

10 INSTALE EL SOPORTE DEL FILTRO

- Incline el soporte del filtro en la parte trasera de la campana.
- Inserte las lengüetas de soporte en las ranuras de la parte trasera de la campana.

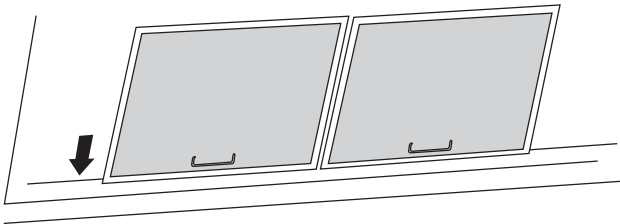
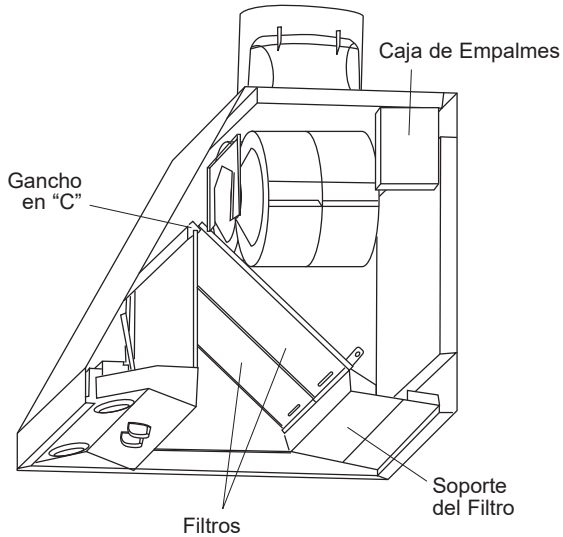


- Asegure el soporte a la campana con los tornillos, como se muestra.

Instrucciones de instalación

11 INSTALACIÓN DE LOS FILTROS

- Retire la película protectora que cubre los filtros.
- Inserte el filtro en los ganchos en "C" montados en la parte superior del panel vertical frontal.
- Dé golpecitos al filtro contra un lado para alinearlos con la abertura externa.
- Empuje el filtro hacia abajo sobre las ranuras inferiores, en la parte inferior del soporte del filtro.



- Para retirar los filtros, tome la manija, empuje el filtro hacia arriba, y luego hacia adelante.

12 FINALIZACIÓN DE LA INSTALACIÓN

- Consulte las instrucciones de funcionamiento para probar todos los controles.

Consejos para la Solución de Problemas... Antes de solicitar el servicio técnico

¡Ahorre tiempo y dinero! Primero revise los cuadros que aparecen en las siguientes páginas y es posible que no necesite solicitar reparaciones.

Problema	Causas posibles	Qué hacer
El ventilador no funciona cuando el interruptor está encendido	Es posible que un fusible haya explotado o que el disyuntor se haya desconectado.	Reemplace el fusible o reinicie el disyuntor.
	El conector del ventilador está suelto o no se encuentra enchufado dentro de su conector correspondiente.	Desconecte la electricidad hacia la unidad. Quite los filtros y observe el ventilador. Si el enchufe del conector del ventilador está suelto o si ve el conector colgando, el instalador no lo enchufó firmemente. Aunque sea una conexión ciega, es fácil enchufarla. Consulte las instrucciones de instalación de este manual para conocer la ubicación del enchufe y cómo enchufar el conector.
El ventilador no hace circular el aire o mueve el aire de forma más lenta que lo habitual.	Filtros excesivamente sucios.	Retire los filtros, limpie los mismos de ser necesario y reemplácelos. Si la limpieza y el reemplazo de los filtros no corrigen el problema, programe un servicio.
		Se requiere suficiente reposición (reemplazo) de aire para que los artefactos con salida de aire funcionen de acuerdo con sus calificaciones. Controle los códigos locales de construcción, que podrán requerir o aconsejar enfáticamente el uso de reposición de aire. Para acceder a soluciones relacionadas con la reposición de aire, visite cafeappliances.com .

Notas

Garantía limitada de campana de cocina con ventilación Café

cafeappliances.com

Todo el servicio de garantía es provisto por nuestros Centros de Servicio de Fabricación, o un técnico de servicio autorizado. Para programar una visita del servicio técnico a través de Internet, visítenos en cafeappliances.com/service. Tenga listo el número de serie y número de modelo cuando programe el servicio.

Para realizar el servicio técnico de su electrodoméstico, se podrá requerir el uso de datos del puerto de abordaje para su diagnóstico. Esto da al técnico del servicio de fábrica de Café la habilidad de diagnosticar de forma rápida cualquier problema con su electrodoméstico, y de ayudar a Café a mejorar sus productos al brindarle a Café la información sobre su electrodoméstico. Si no desea que los datos de su electrodoméstico sean enviados a Café, solicitamos que le indique a su técnico no entregar los datos a Café en el momento del servicio.

Por el Período de	Café reemplazará
Un Año Desde la fecha de la compra original	Cualquier pieza del producto de cocción que falle debido a un defecto en los materiales o la fabricación. Durante esta garantía limitada de un año , Café también proveerá, sin costo , todo el trabajo y costos del servicio relacionados con el reemplazo de la pieza defectuosa.

Qué no cubrirá Café:

- Viajes del técnico del servicio a su hogar para enseñarle sobre cómo usar el producto.
- Instalación, entrega o mantenimiento inadecuados.
- Fallas del producto en caso de abuso, mal uso, modificación o uso para propósitos diferentes al original o uso comercial.
- Reemplazo de fusibles de la casa o reinicio de disyuntores.
- Daños ocasionados sobre el producto por accidente, incendio, inundaciones o catástrofes naturales.
- Daños incidentales o consecuentes causados por posibles defectos sobre este producto.
- Daños sobre el acabado, tales como óxido sobre la superficie, deslustres o manchas pequeñas no informadas dentro de las 48 horas luego de la entrega.
- Daño causado después de la entrega.
- Producto no accesible para brindar el servicio requerido.
- Marcas o manchas (incluyendo manchas de óxido sobre la superficie) que pueden ser eliminadas siguiendo las instrucciones de limpieza.
- Solicite el servicio técnico para reparar o reemplazar las lámparas, excepto las lámparas LED.

EXCLUSIÓN DE GARANTÍAS IMPLÍCITAS

Su única y exclusiva alternativa es la reparación del producto, como se indica en la Garantía Limitada. Las garantías implícitas, incluyendo garantías implícitas de comerciabilidad o conveniencia sobre un propósito particular, se limitan a un año o al período más corto permitido por la ley.

Esta garantía limitada se extiende al comprador original y a cualquier propietario posterior de los productos comprados para uso doméstico dentro de EE. UU. Si el producto está en un área donde no se encuentra disponible un Proveedor Autorizado del Servicio Técnico de Café, usted será responsable por el costo de un viaje o se podrá requerir que traiga el producto a una ubicación del Servicio Técnico de Café autorizado para recibir el servicio. En Alaska, la garantía limitada excluye el costo de envío o visitas de servicio a su domicilio. Algunos estados no permiten la exclusión o limitación de daños fortuitos o consecuentes. Esta garantía limitada le otorga derechos legales específicos, y usted también podría tener otros derechos que varían de estado a estado. Para conocer cuáles son sus derechos legales, consulte a la oficina de asuntos del consumidor local o estatal o al Fiscal de su estado.

Garante: GE Appliances, a Haier company

Louisville, KY 40225

Garantías Extendidas: Adquiera una garantía extendida de Café y conozca los descuentos especiales que están disponibles mientras su garantía aún está vigente. Puede acceder a la misma a través de Internet en cualquier momento en

cafeappliances.com/extended-warranty

Los Servicios para los Café aún estarán disponibles cuando su garantía caduque.

Abroche su recibo aquí. Para acceder al servicio técnico de acuerdo con la garantía deberá contar con la prueba de la fecha original de compra.

Accesorios

¿Busca Algo Más?

¡Café ofrece una variedad de accesorios para mejorar sus experiencias de cocción y mantenimiento!

Consulte la página de Apoyo al Consumidor para información sobre la página web.

Estos y otros productos están disponibles:

Piezas

Kit de la Tapa del Conducto

Luces de Reemplazo

Panel del Gabinete de Relleno de 15"

Suministros de Limpieza

Limpiadores de Acero Inoxidable CitriShine

Limpiador para Electrodomésticos de Acero Inoxidable CERAMA BRYTE®

Bar Keepers Friend Soft Cleanser™

Soporte para el Consumidor

Sitio Web de Café

¿Desea realizar una consulta o necesita ayuda con su electrodoméstico? ¡Intente a través del sitio web de Café las 24 horas del día, cualquier día del año! Usted también puede comprar más electrodomésticos maravillosos de Café y aprovechar todos nuestros servicios de soporte a través de Internet, diseñados para su conveniencia. En EE.UU.: cafeappliances.com

Registre su Electrodoméstico

¡Registre su electrodoméstico nuevo a través de Internet, según su conveniencia! Un registro puntual de su producto permitirá una mejor comunicación y un servicio más puntual de acuerdo con los términos de su garantía, en caso de surgir la necesidad. También puede enviar una carta en la tarjeta de inscripción preimpresa que se incluye con el material embalado. En EE.UU.: cafeappliances.com/register

Servicio Programado

El servicio de reparación de expertos de Café está a sólo un paso de su puerta. Conéctese a través de Internet y programe su servicio a su conveniencia cualquier día del año. En EE.UU.: cafeappliances.com/service

Garantías Extendidas

Adquiera una garantía extendida de Café y conozca los descuentos especiales que están disponibles mientras su garantía aún está vigente. La puede adquirir en cualquier momento a través de Internet. Los servicios de Café aún estarán allí cuando su garantía caduque. En EE.UU.: cafeappliances.com/extended-warranty

Conectividad Remota

Para solicitar asistencia para la conectividad de red inalámbrica (para modelos con acceso remoto), visite nuestro sitio web en cafeappliances.com/connect

Piezas y Accesorios

Aquellos individuos calificados para realizar el servicio técnico de sus propios electrodomésticos podrán solicitar el envío de piezas o accesorios directamente a sus hogares (se aceptan las tarjetas VISA, MasterCard y Discover). Ordene hoy a través de Internet durante las 24 horas, todos los días. En EE.UU.: cafeappliances.com/parts

Las instrucciones que figuran en este manual cubren los procedimientos que serán realizados por cualquier usuario. Otros servicios técnicos generalmente deben ser derivados a personal calificado del servicio. Se deberá tener cuidado, ya que una reparación indebida podrá hacer que el funcionamiento no sea seguro.

Contáctenos

Si no se encuentra satisfecho con el servicio que recibió de Café, comuníquese con nosotros a través de nuestro sitio web con todos los detalles, incluyendo su número telefónico, o escriba a:

En EE.UU.: General Manager, Customer Relations | Café Appliances, Appliance Park | Louisville, KY 40225
cafeappliances.com/contact